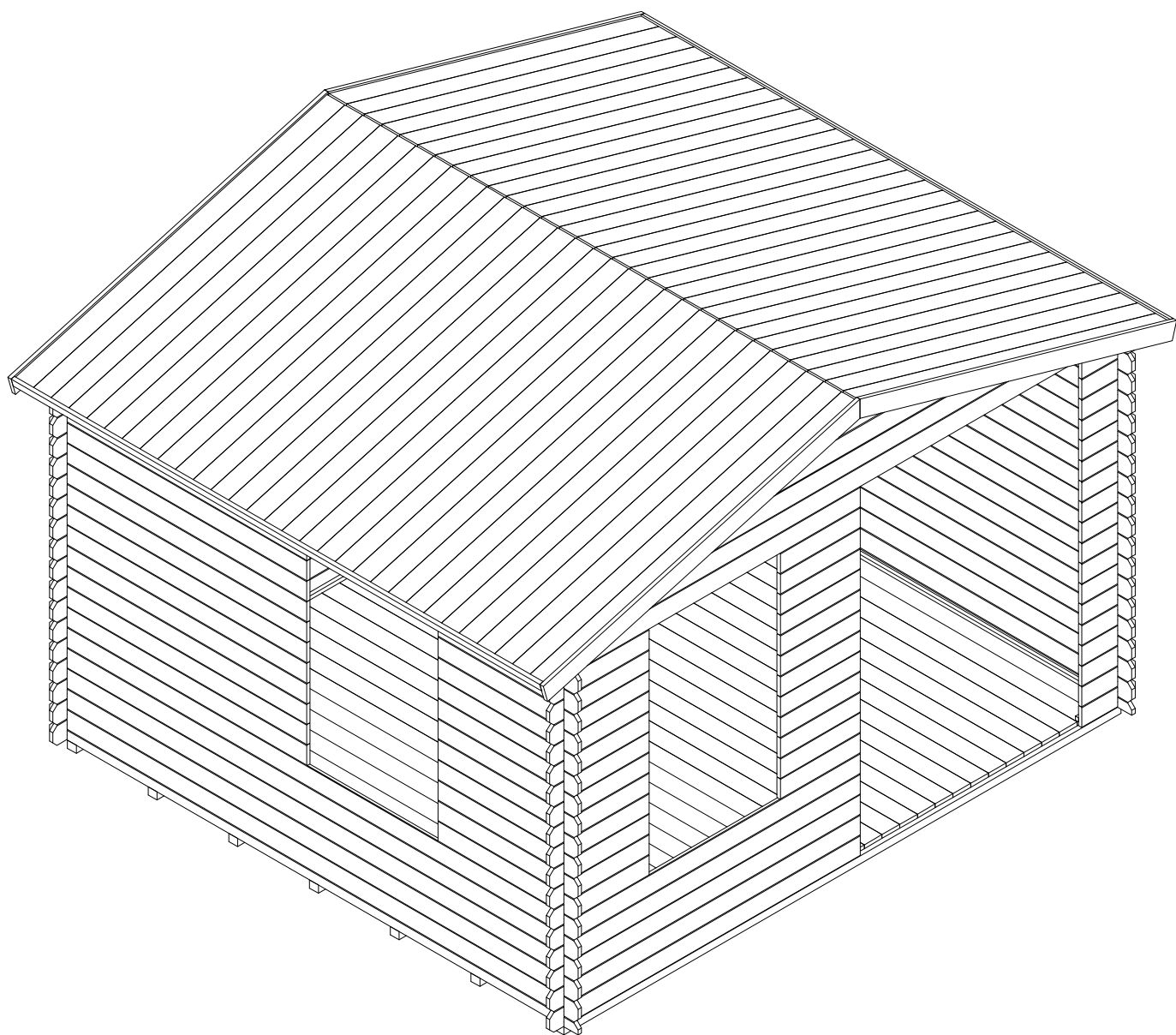
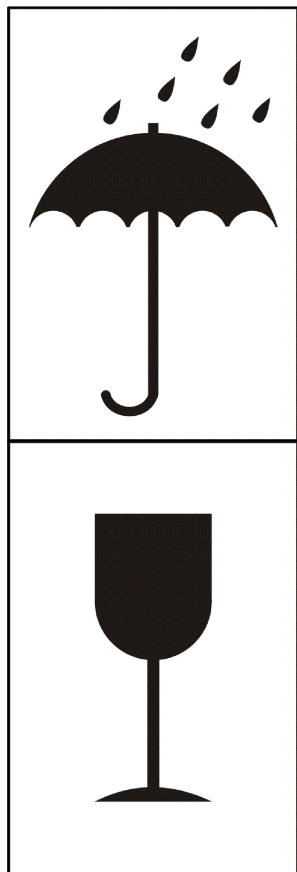
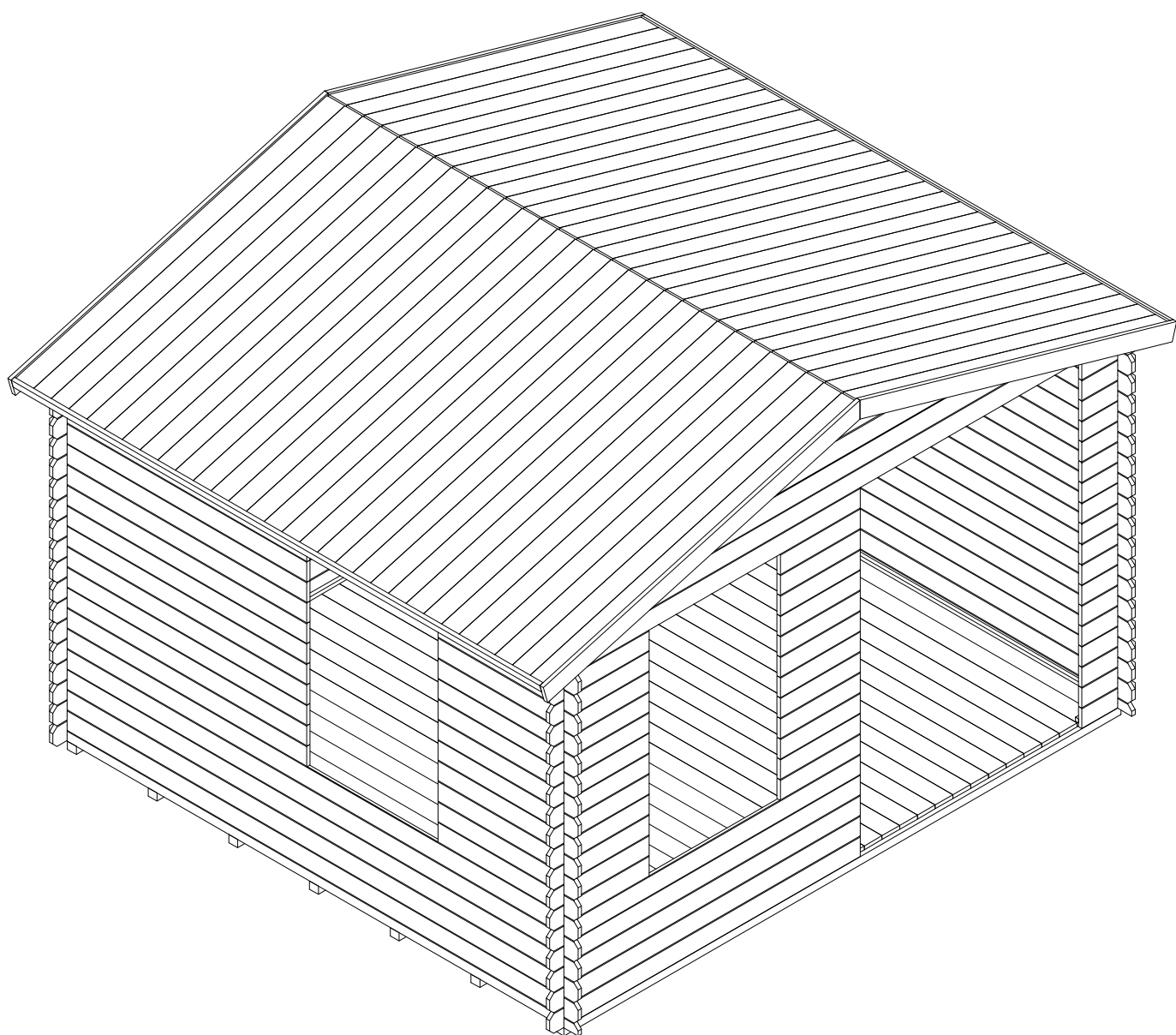
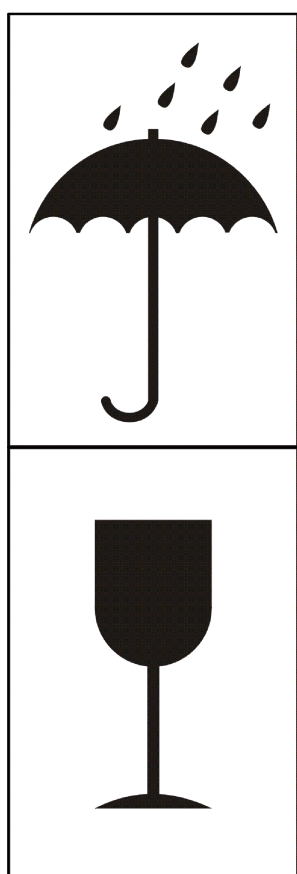


**Log MM003 3.3x3**



**Log MM003 3.3x3**



**Log MM003 3.3x3**

# Log M003

330x298 cm  
19 mm 2015.07.07

## BE 2015

-Date-

Degree <74°	Dimensions, mm			Pos.	Quantity
	A	B	C		
	2820	40	55/60	1	2
	3030	40	55/60	1a	7
	2772	19	100/86	2	31/37
		19	28	3	~ 30 meters
	2980	19	50	4	2
	1750	19	100	5	6
	560	19	100	6	12
	450	19	100	7	12
	300	19	100	8	18
	2980	19	100	9	24
	1450	19	100	10	12
	790	19	100	11	12
	3300	19	100	12	18
	2980	40	110	13	2
	2980	40	110	14	1
	3300	496		F-1,3	2
	1830	19	100/86	15	60/70
	1860	19	90	16	4
	1490	19	40	17	4
	200	100		18	2
	1860	19	40	19	4
	1250	1800		20	1
	740	1200		21	2
	1880	19	40	22	4
	300	19	100	F	6 Banging blocks
	1880	19	40	23	4

-Packing No.-

-Name.lastname-

-Signature-

# Log MM1003 3.3X3

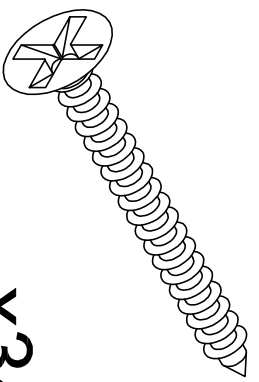
330x298 cm

19mm

2015.09.07

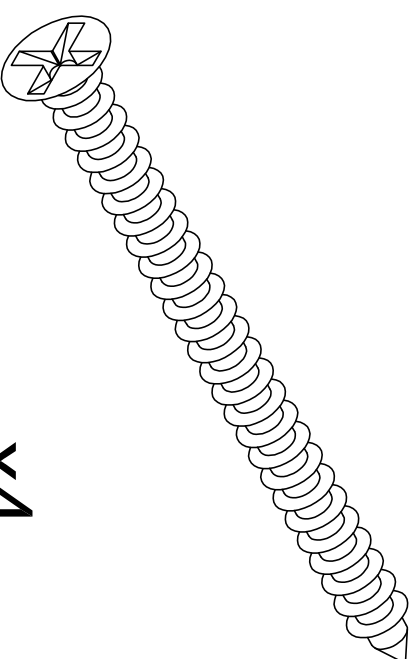
# BE 2015

3.5x35 mm



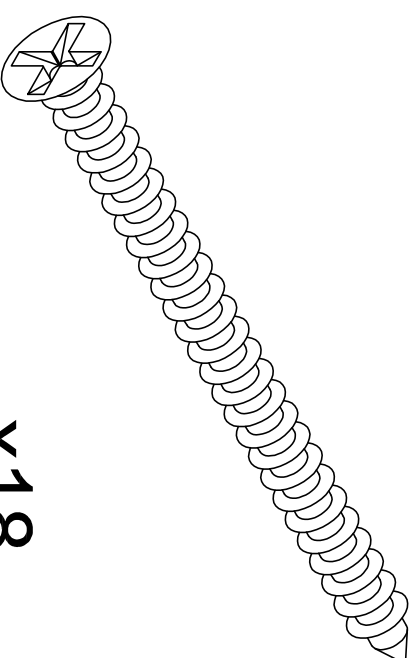
X34

4x70 mm



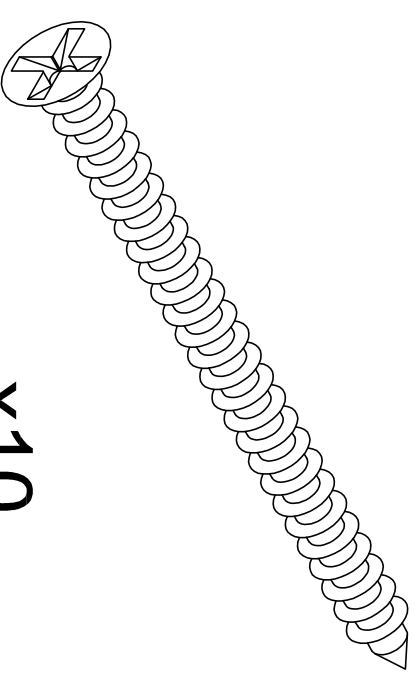
X4

5x70 mm



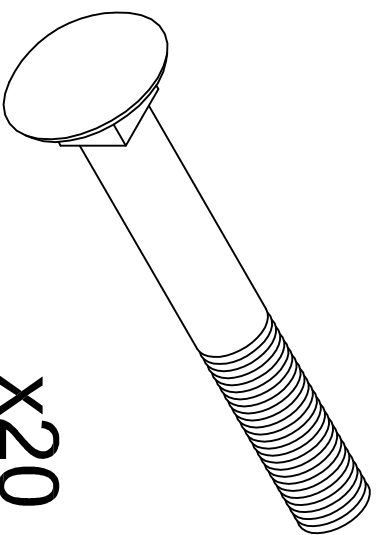
X18

5x100 mm



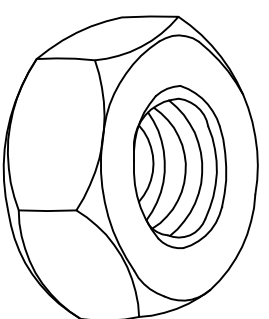
X10

8x60 mm



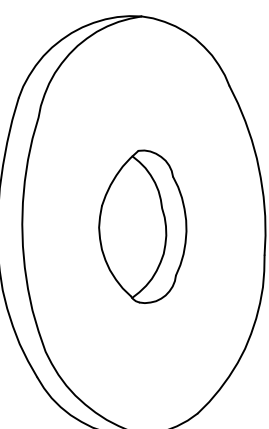
X20

M8



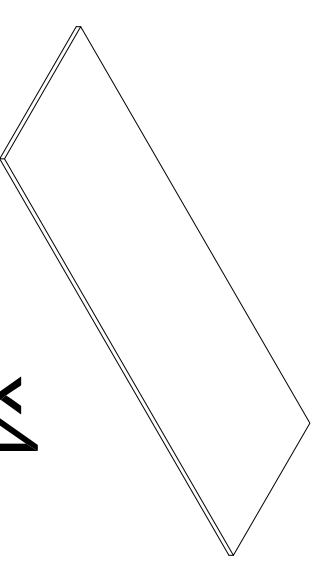
X20

M8

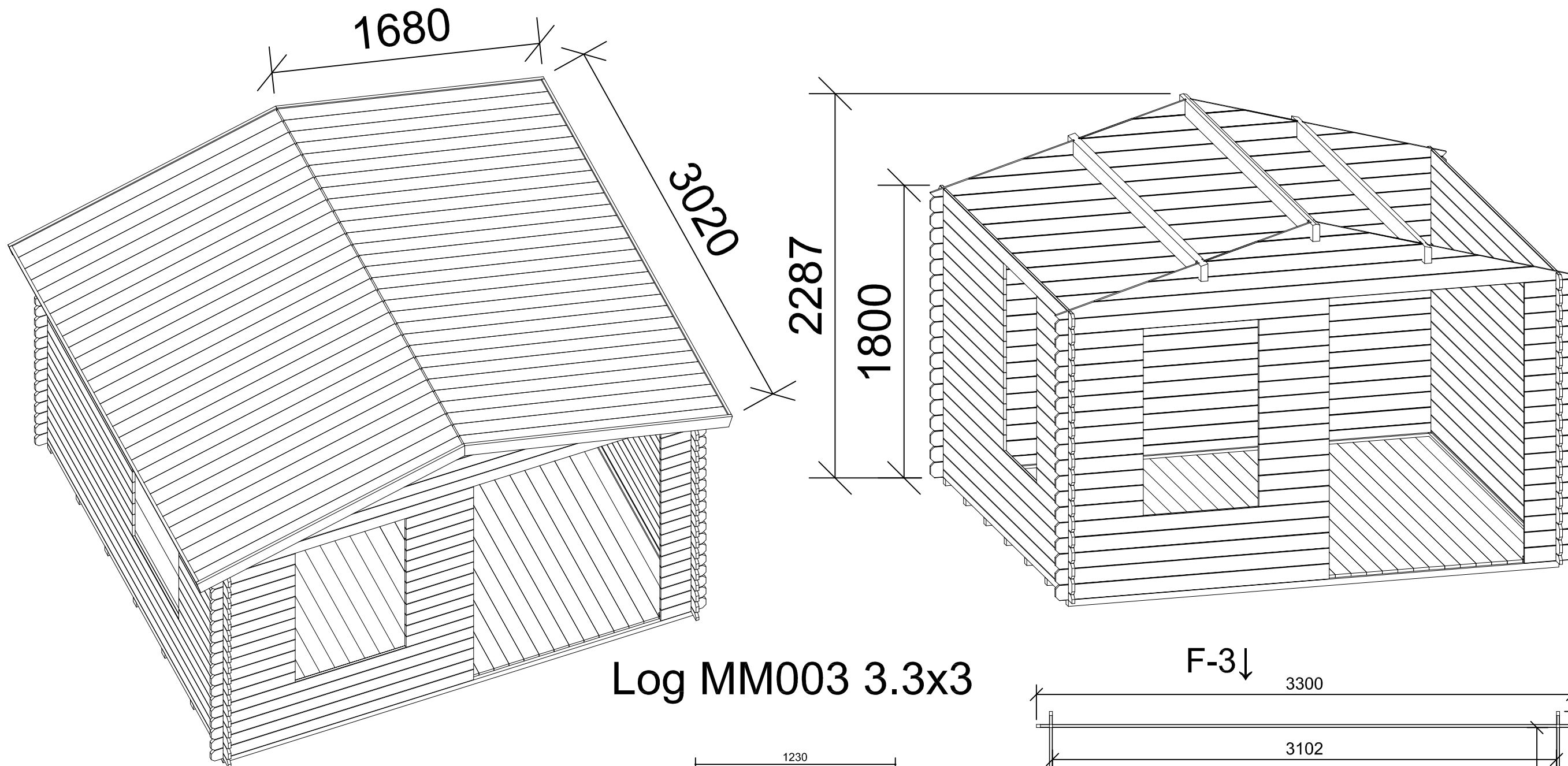


X20

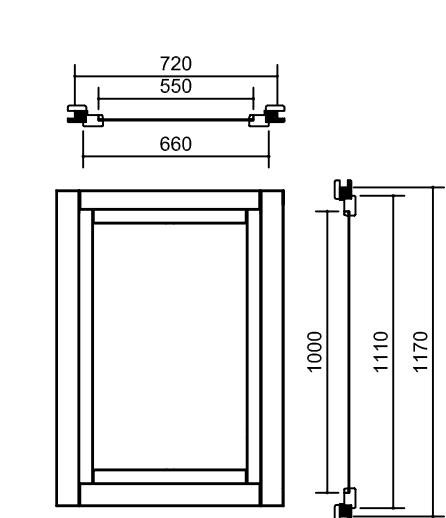
3 mm



X4

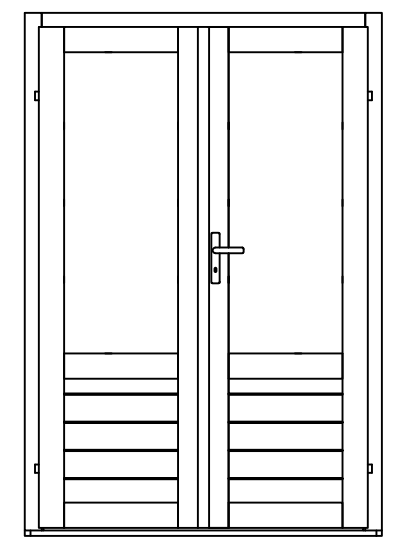
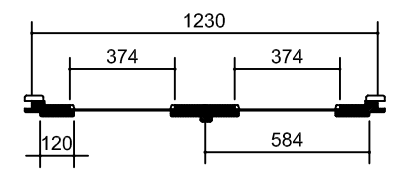


**Log MM003 3.3x3**

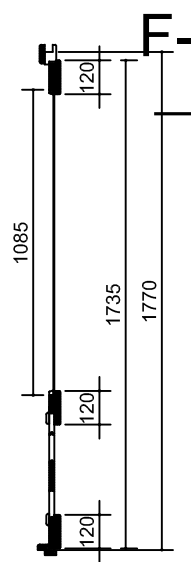


2 vnt. stiklas, kylstanga

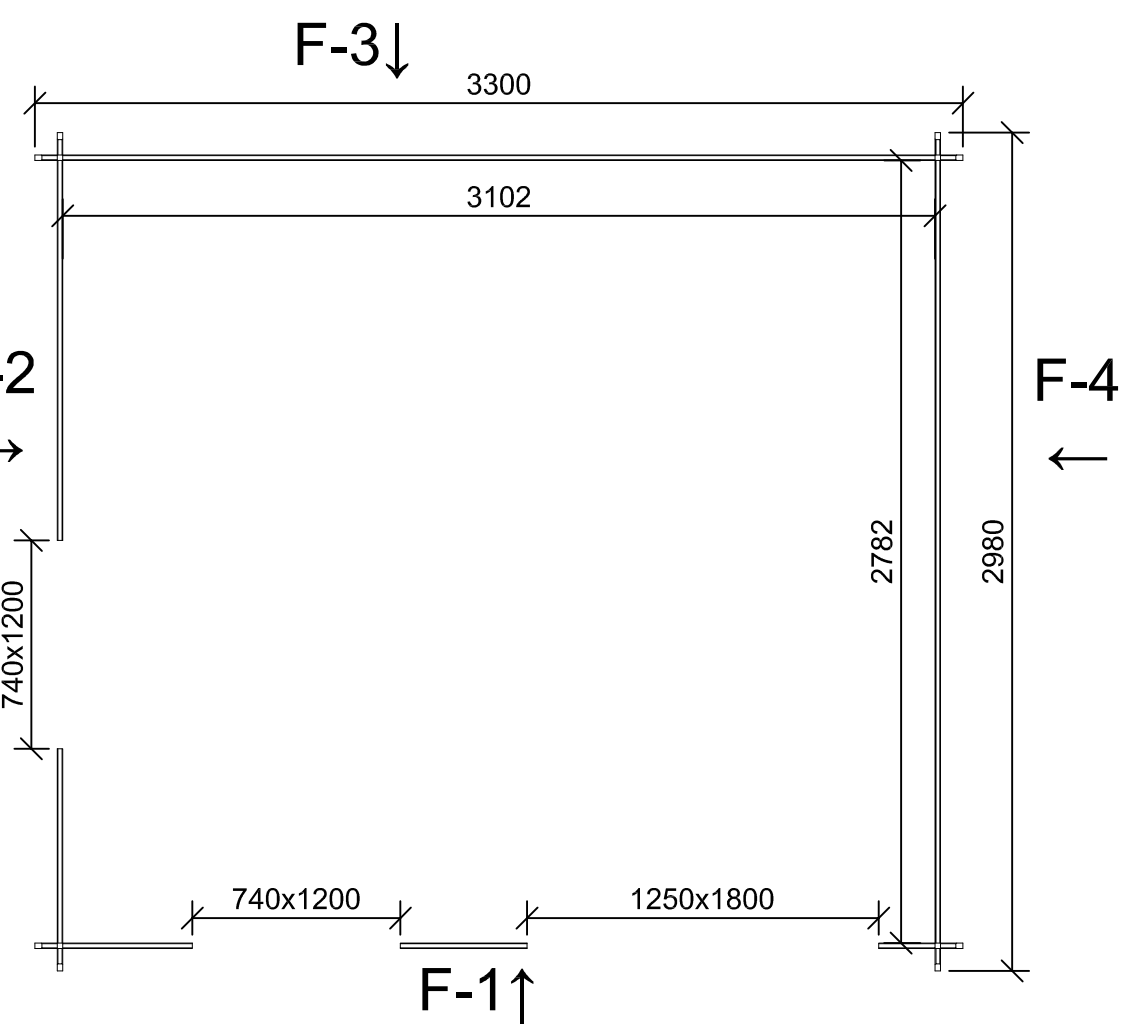
Stiklas  
1080x370 - 2 vnt.  
995x545 - 2 vnt.



1 vnt. reguliuojami lankstai



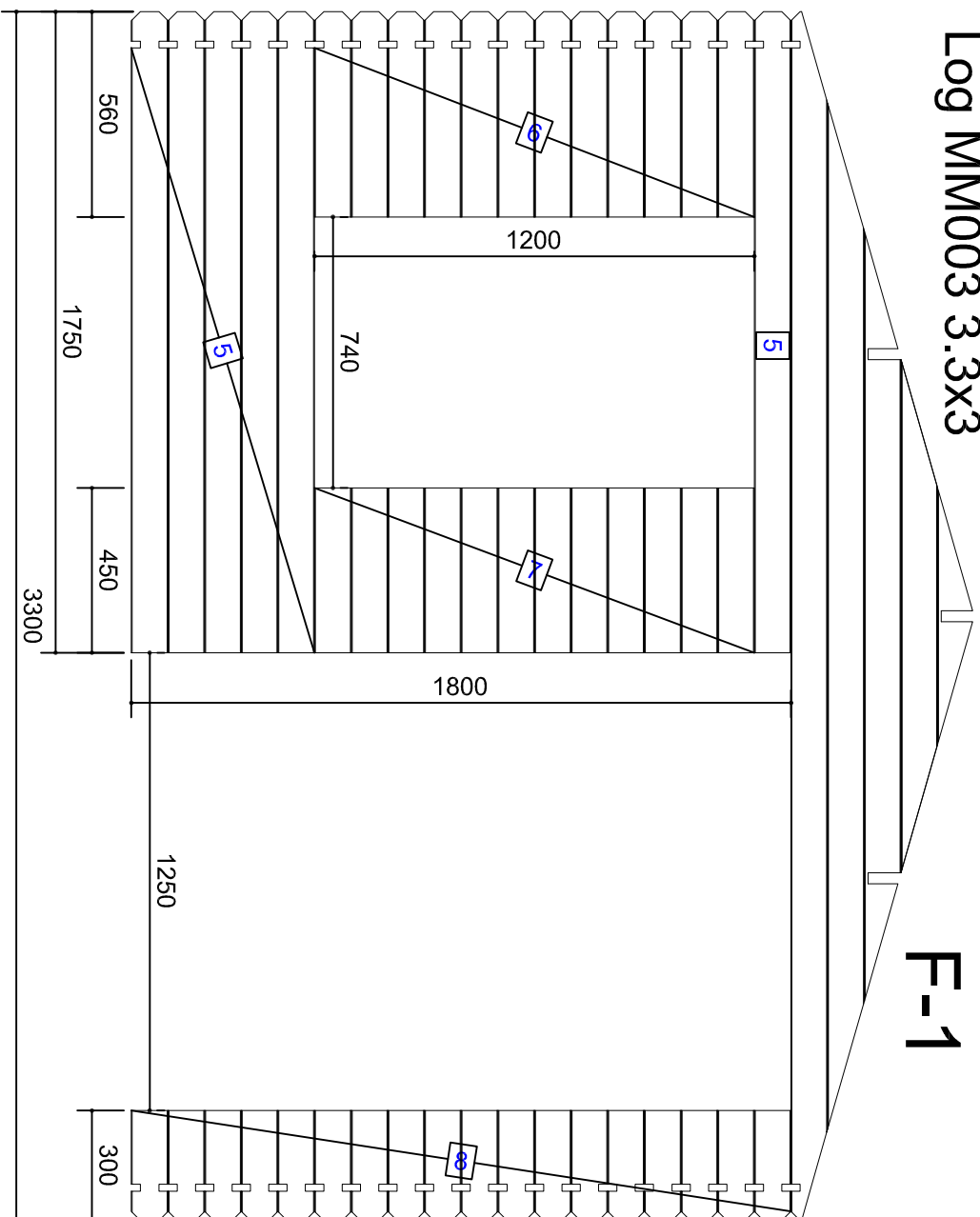
F-2



F-1↑

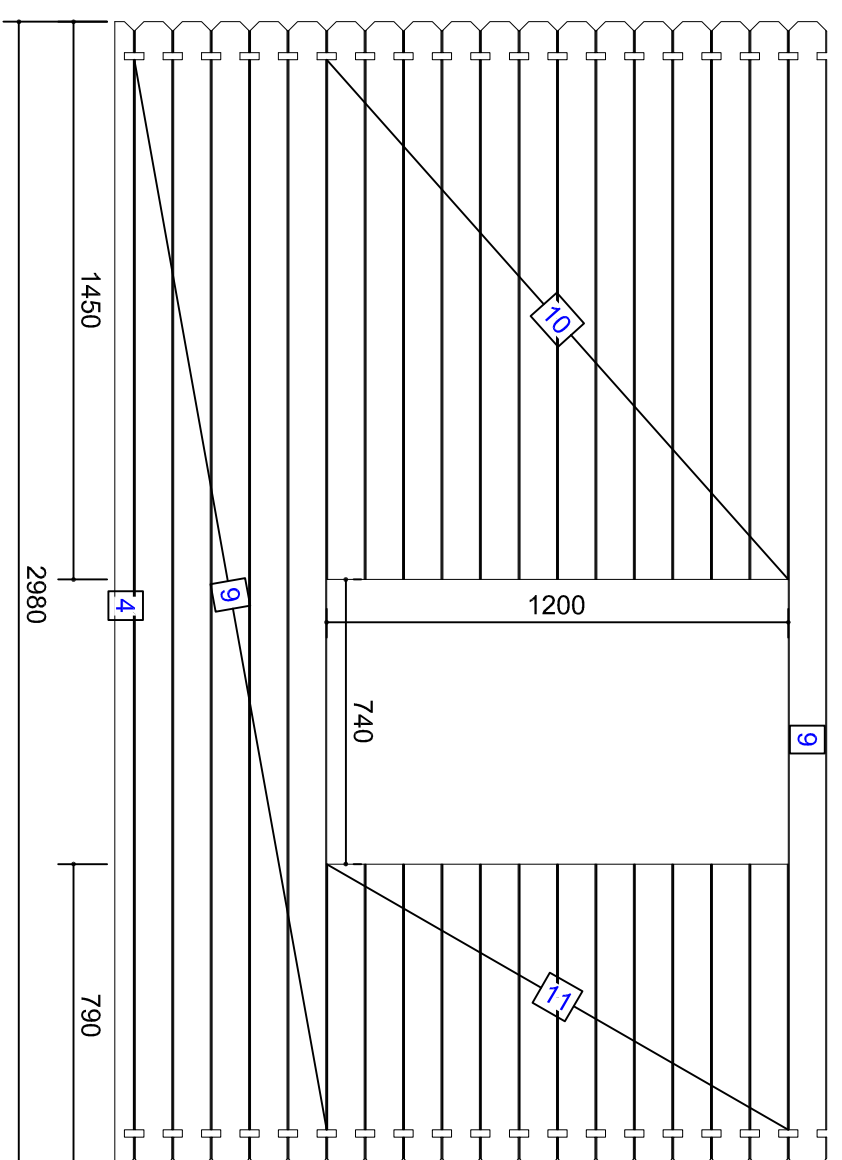
F-4  
←

Log MM003 3.3X3



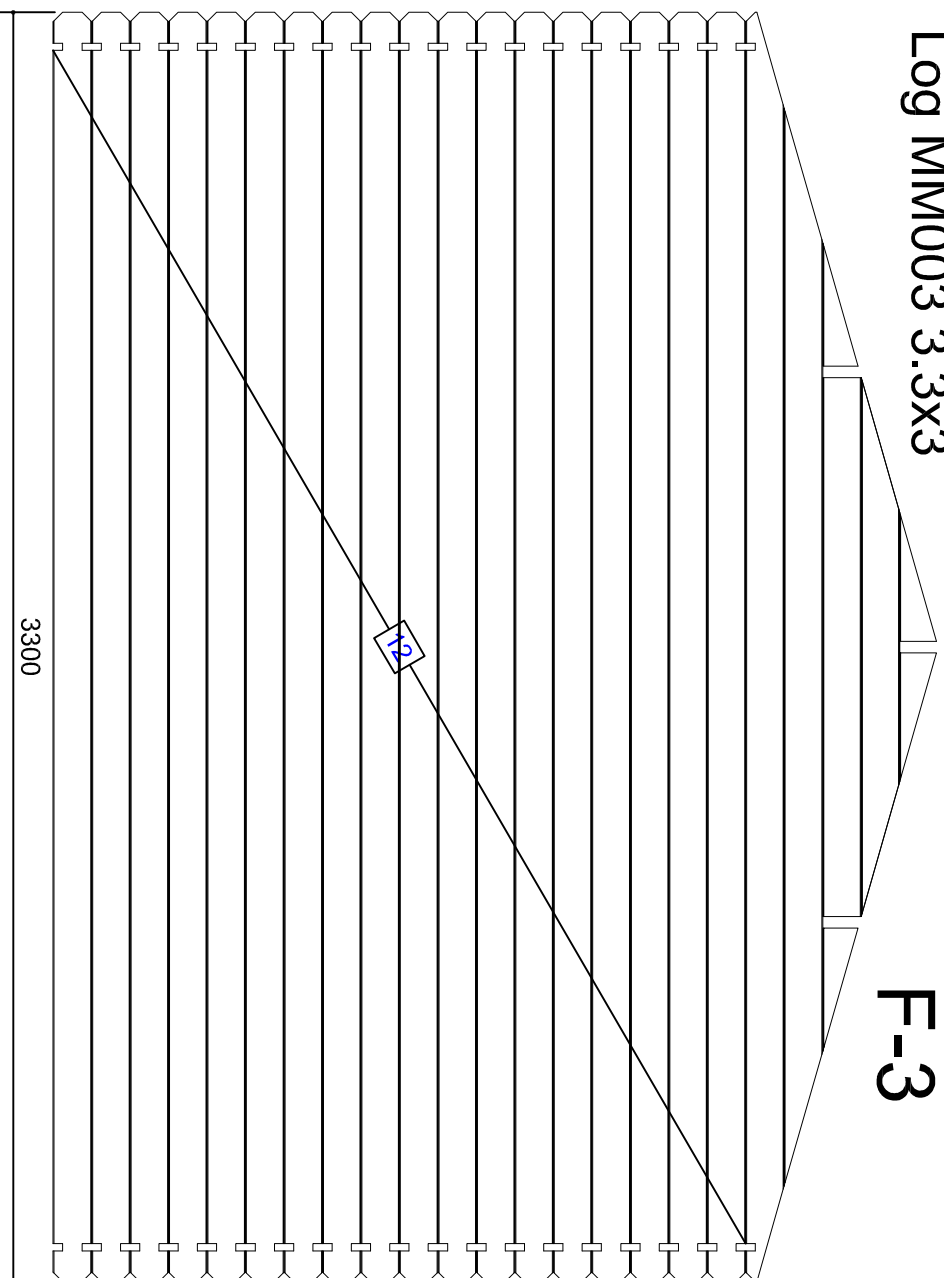
F-1

Log MM003 3.3X3



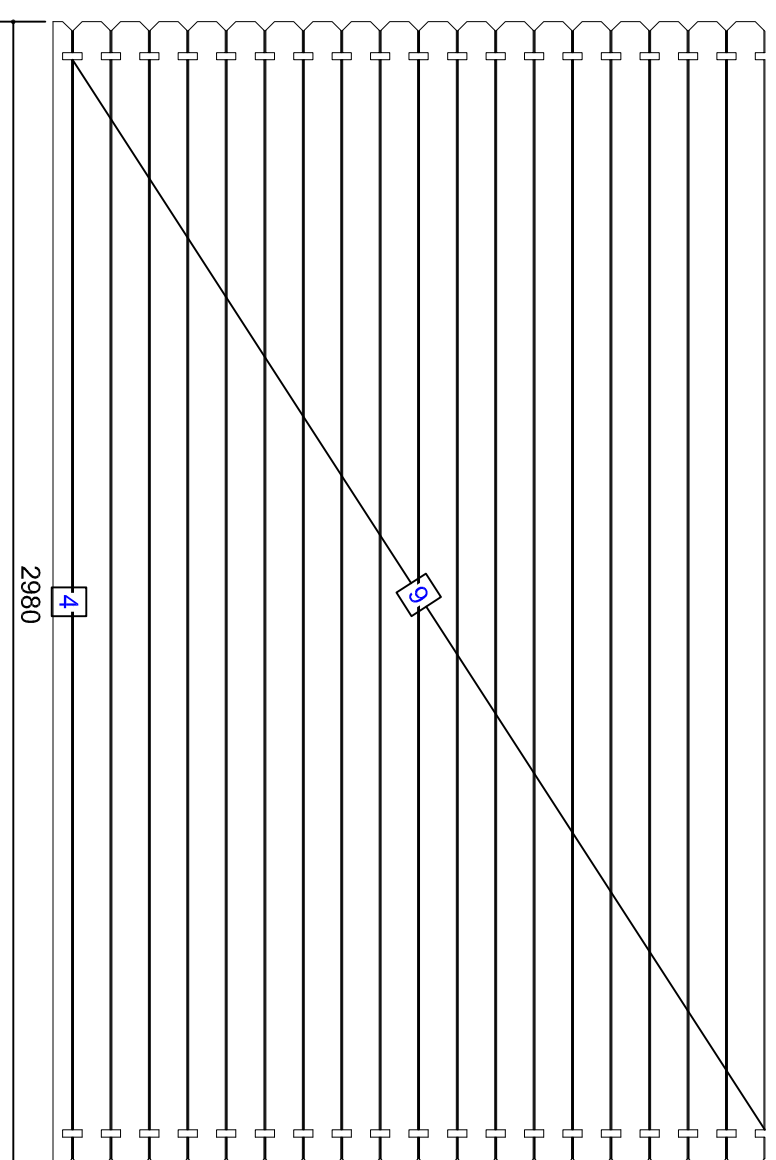
F-2

Log MM003 3.3X3

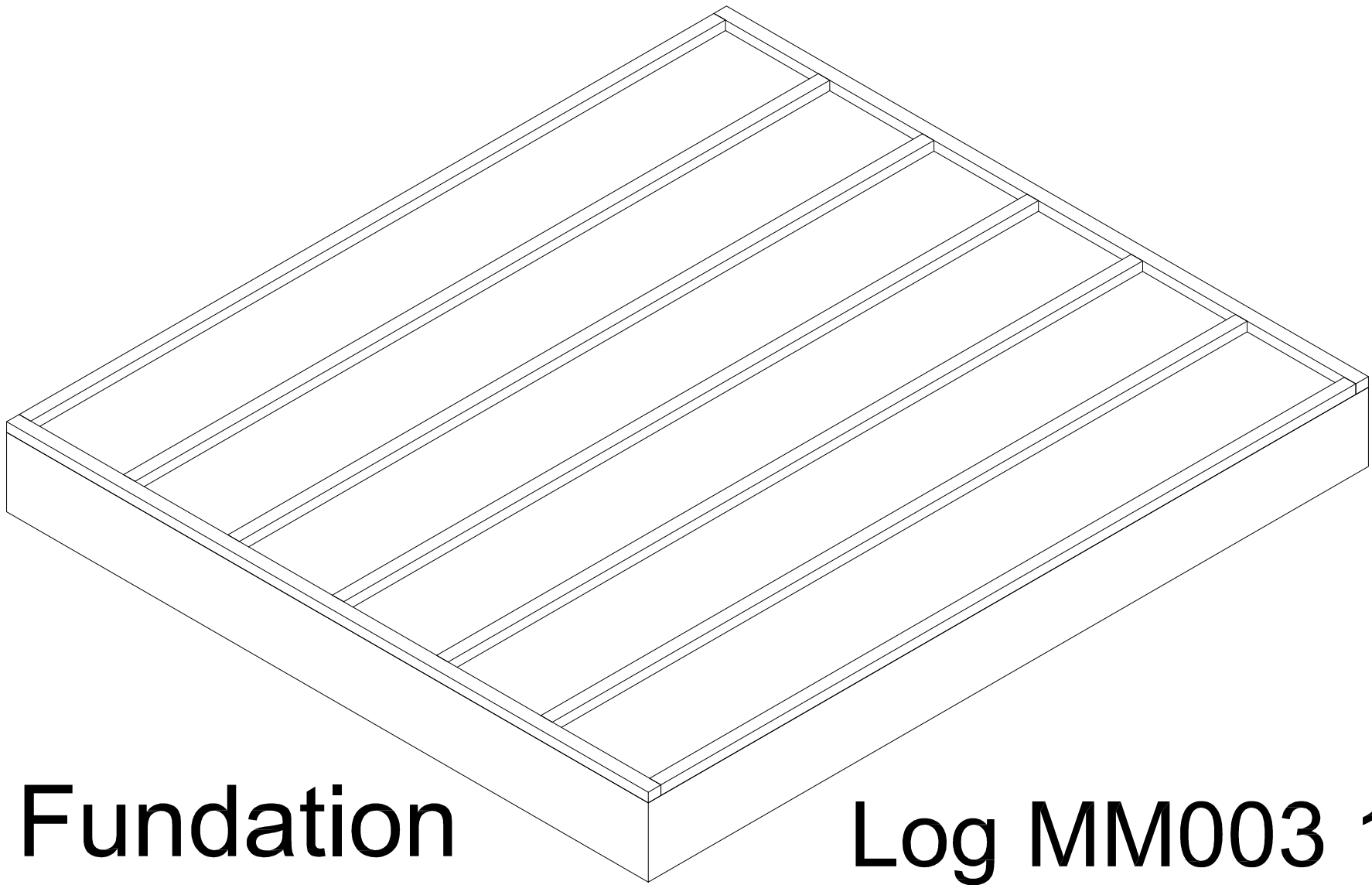


F-3

Log MM003 3.3X3

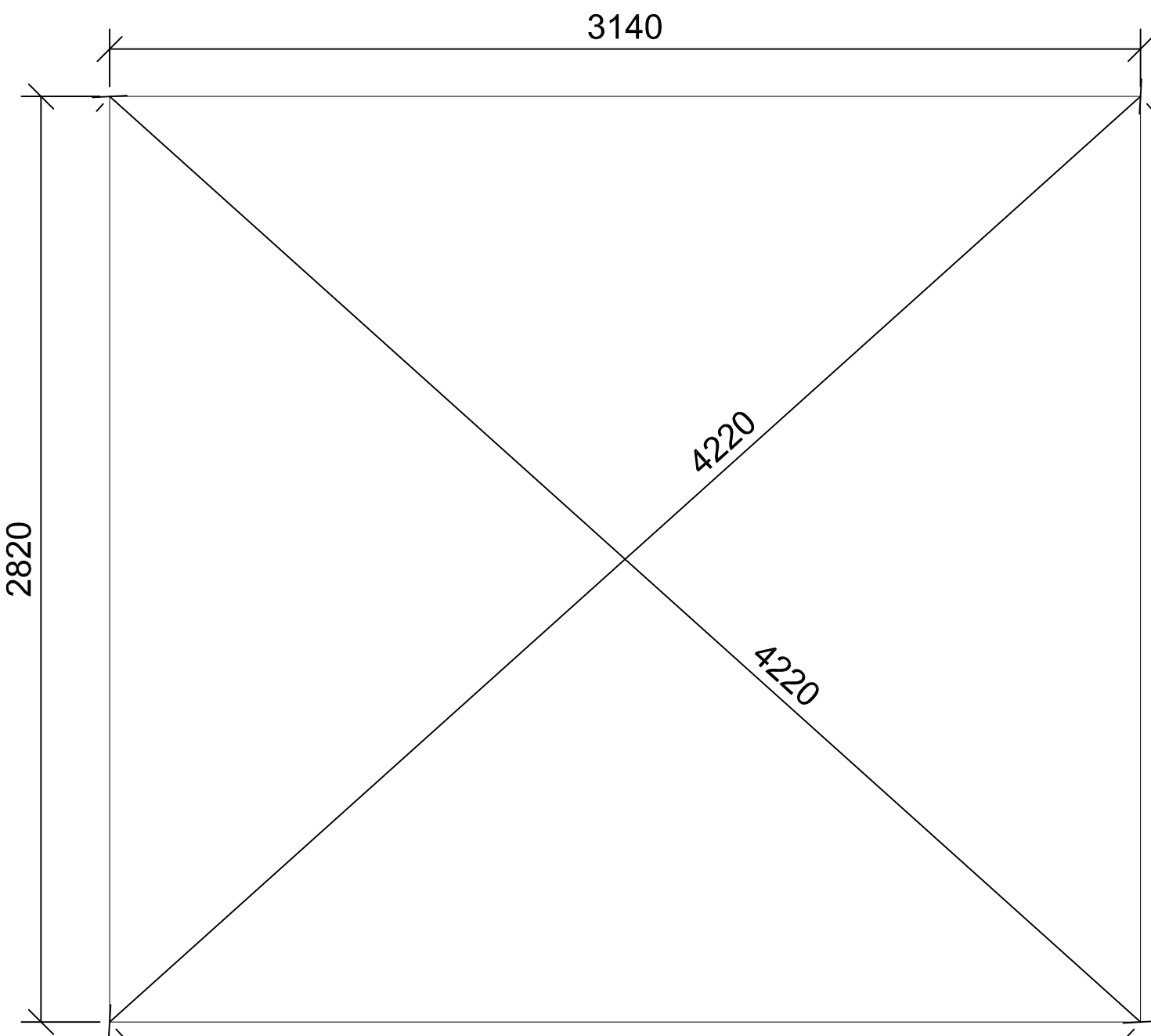


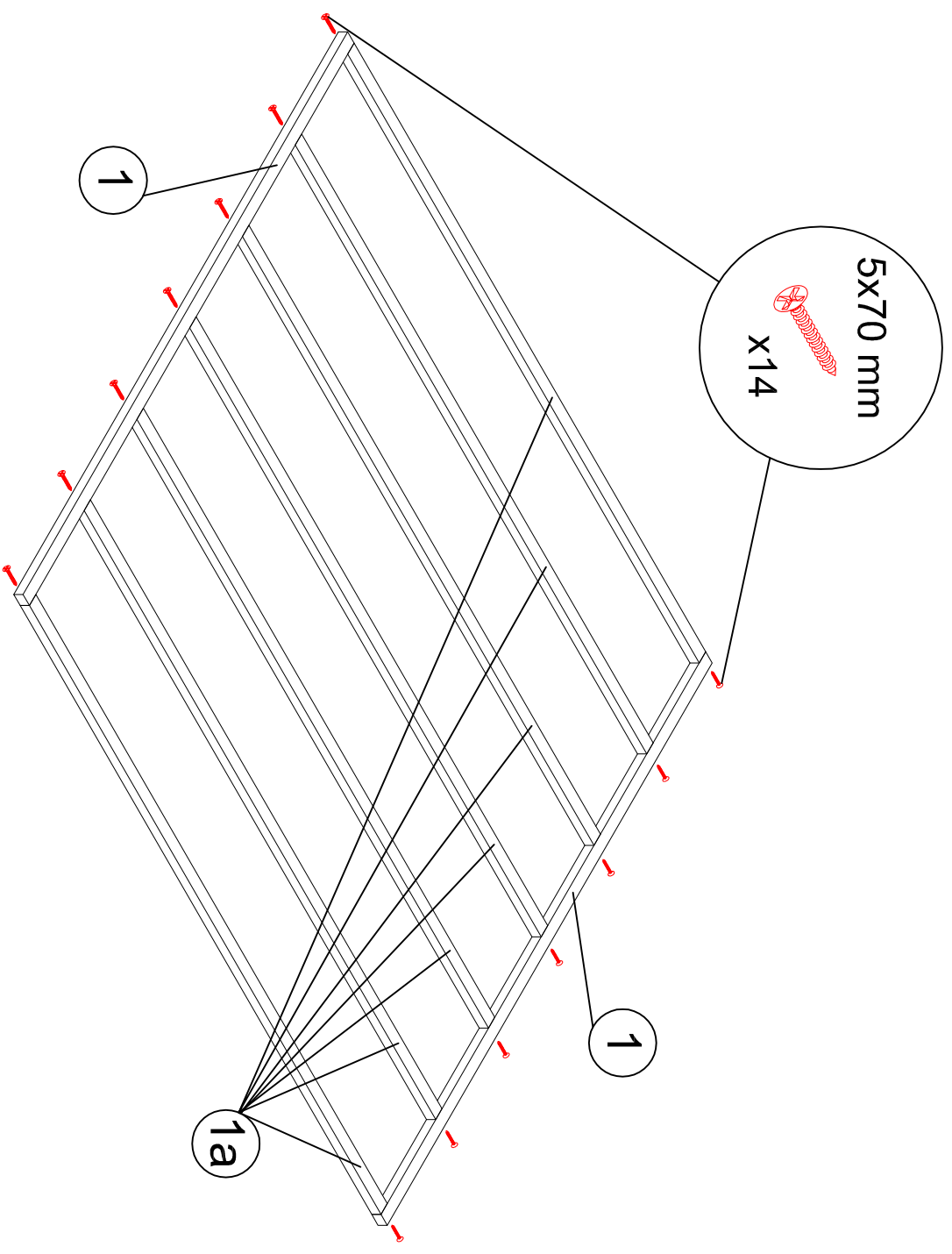
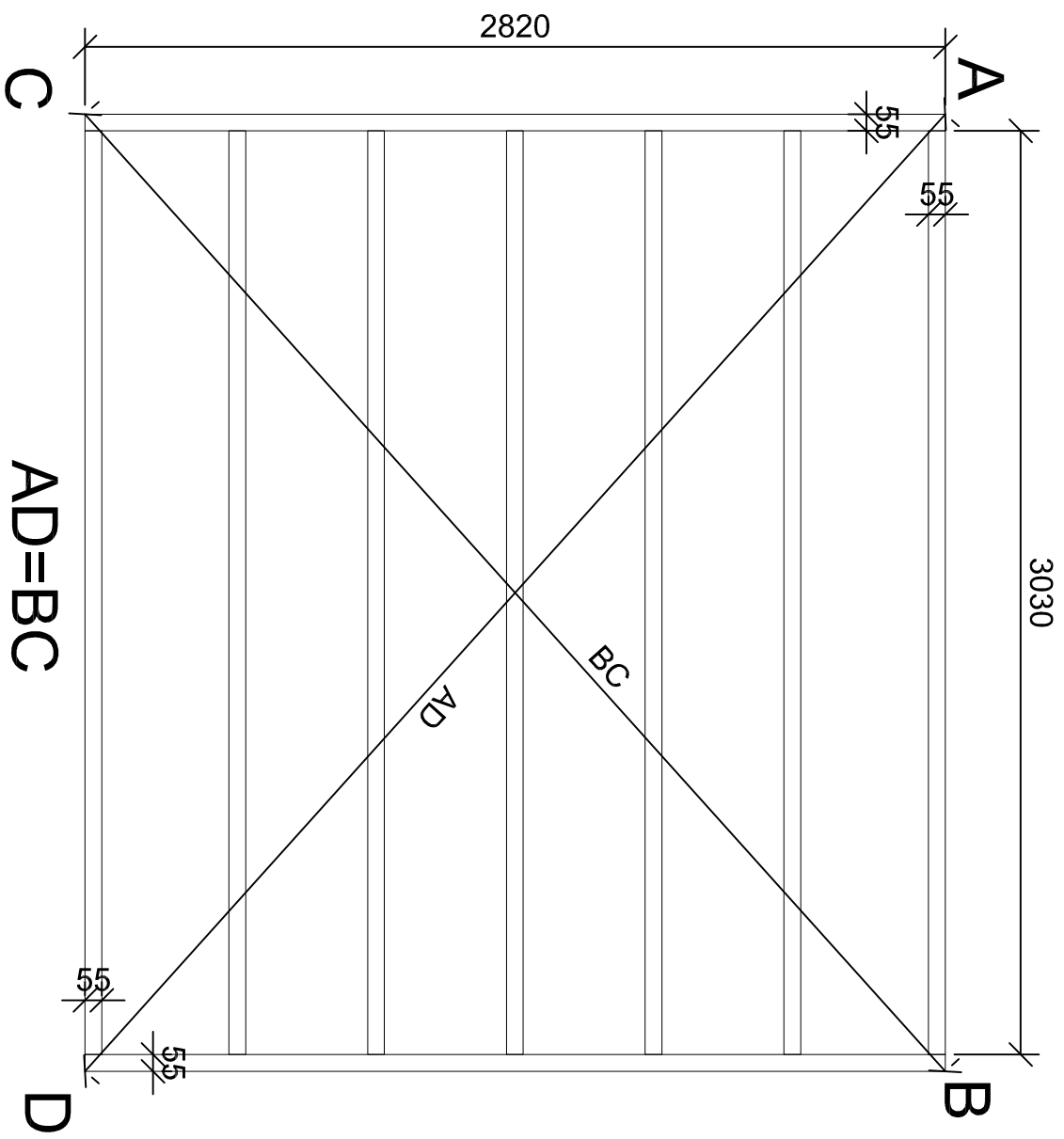
F-4

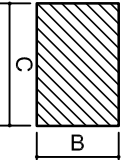
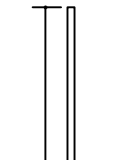
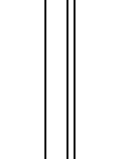


**Foundation**

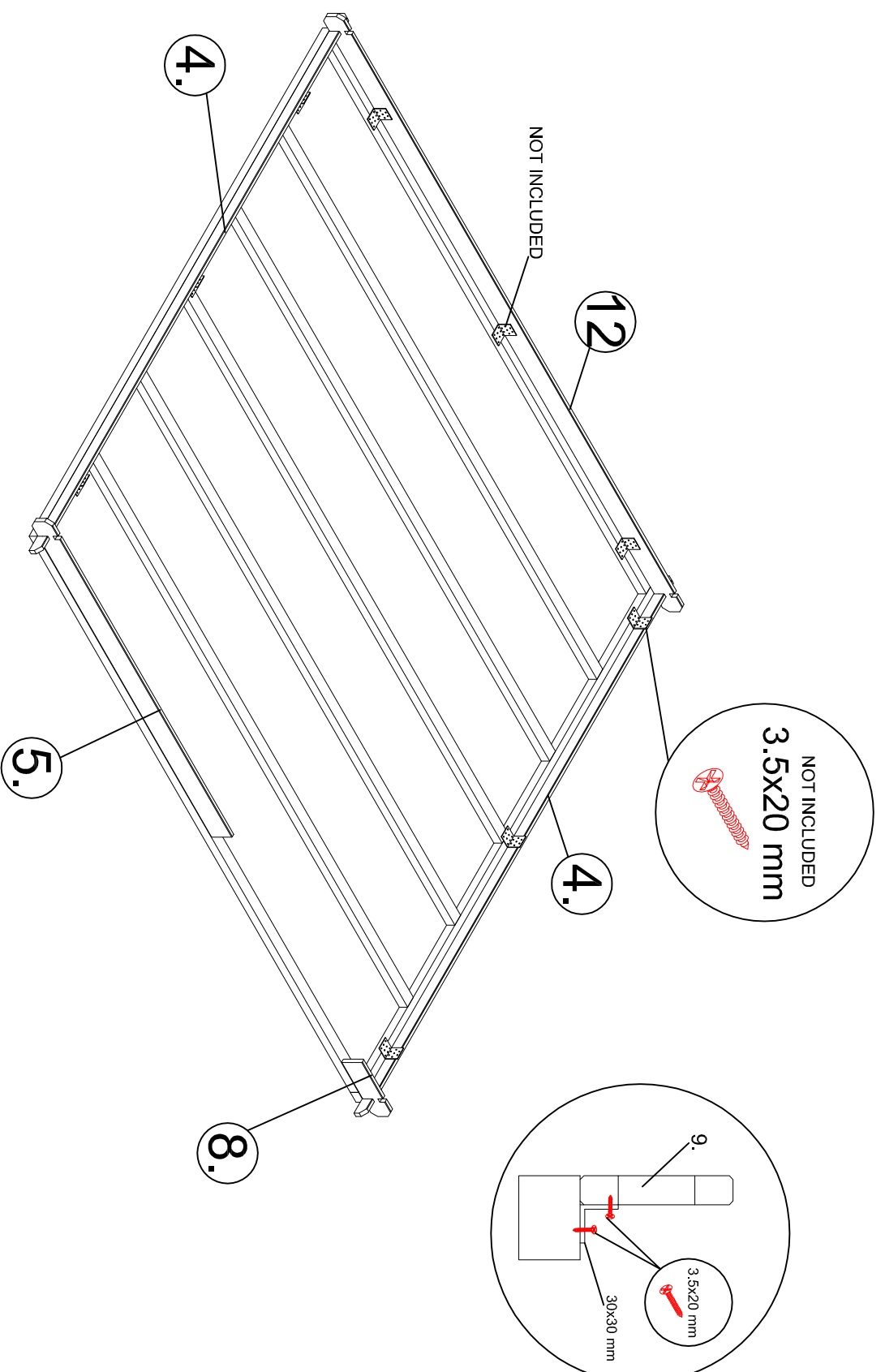
**Log MM003 19mm**





<h1>Log M003</h1>	<b>330x298 cm</b>			<b>BE 2015</b>	Date:
	<b>19 mm</b> 2015.07.07				
Degree <math><74^\circ</math>	Dimensions, mm		Pos.	Quantity	
	<b>A</b>	<b>B</b>			
					
2820	40	55/60	1	2	
3030	40	55/60	1a	7	





# Log M003

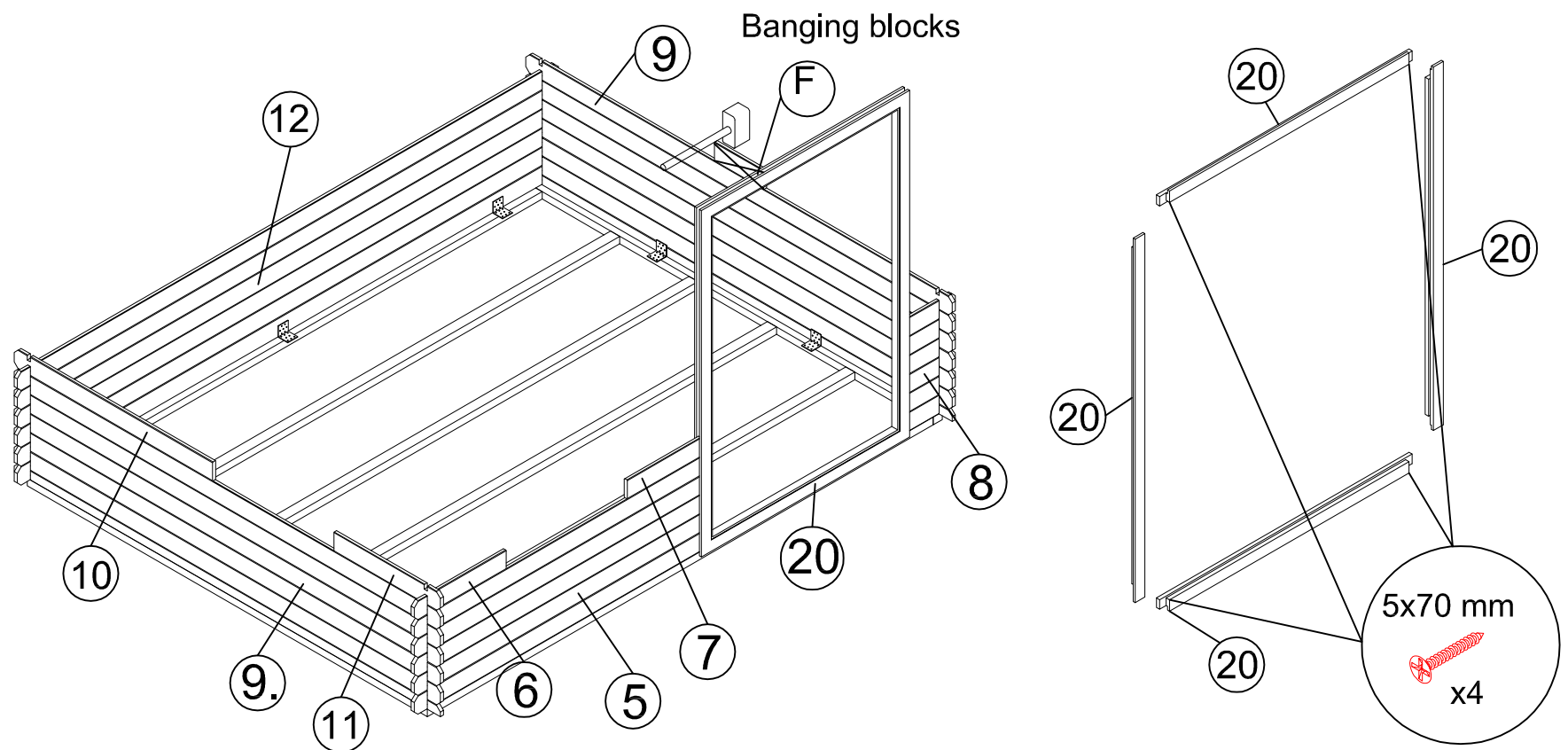
**330x298 cm**

**BE 2015**

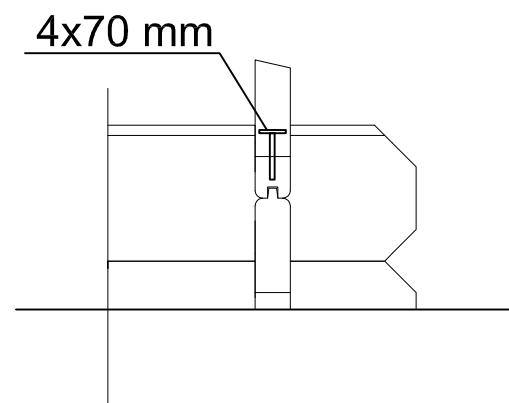
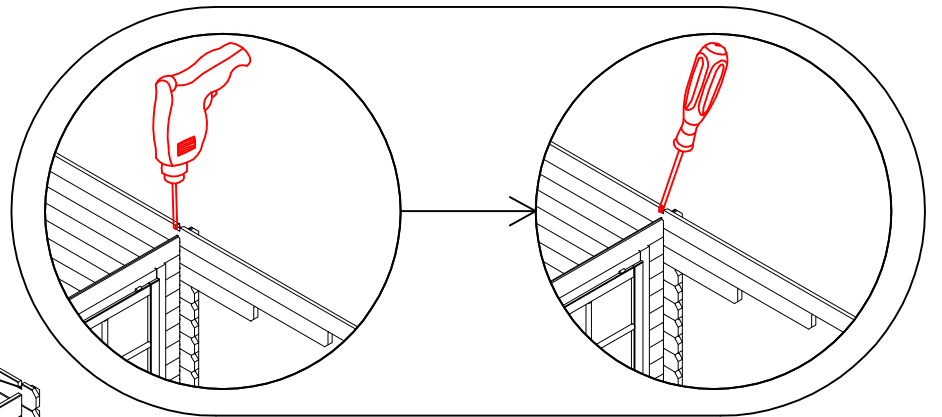
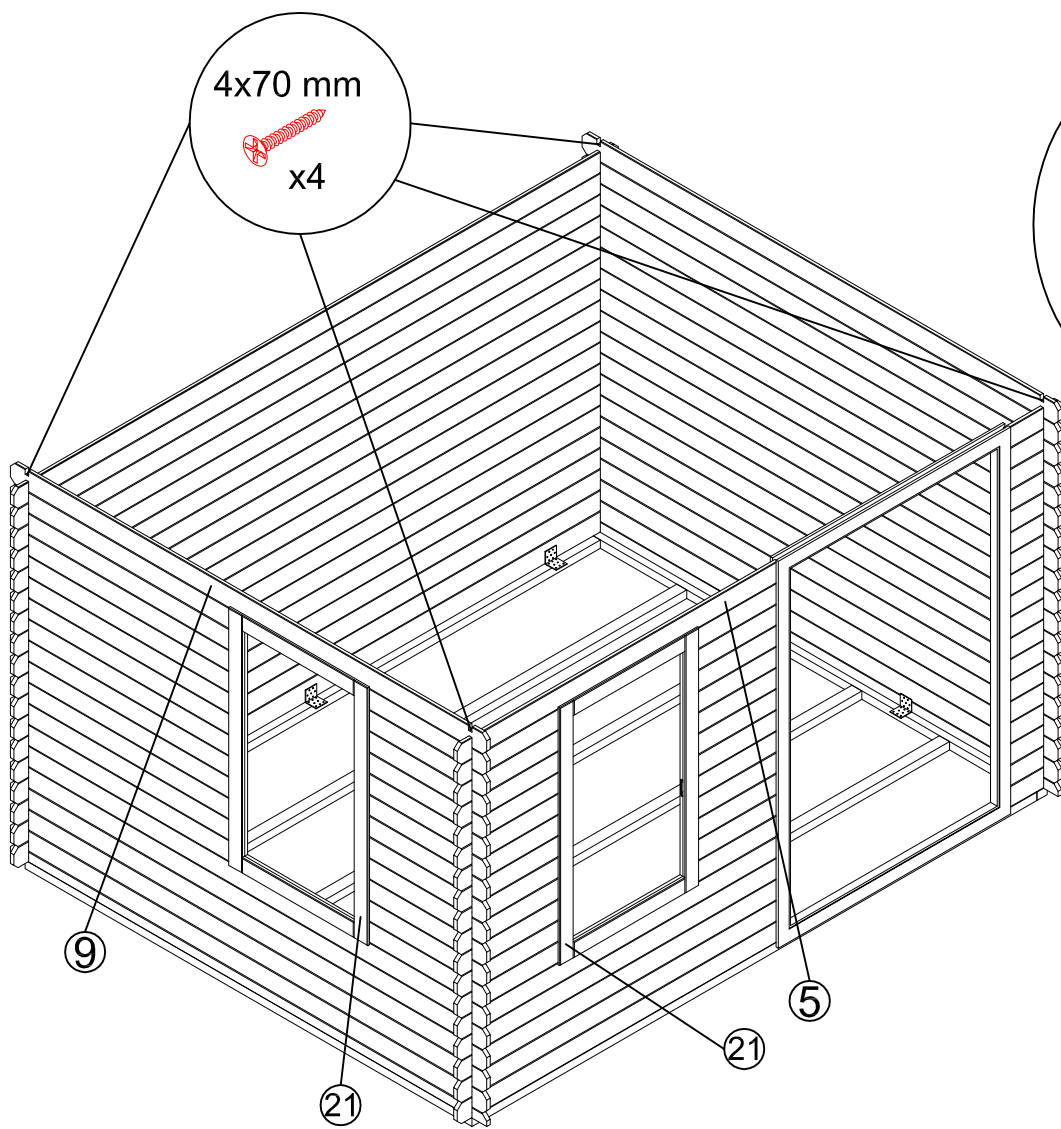
**19 mm** 2015.07.07

—Date—

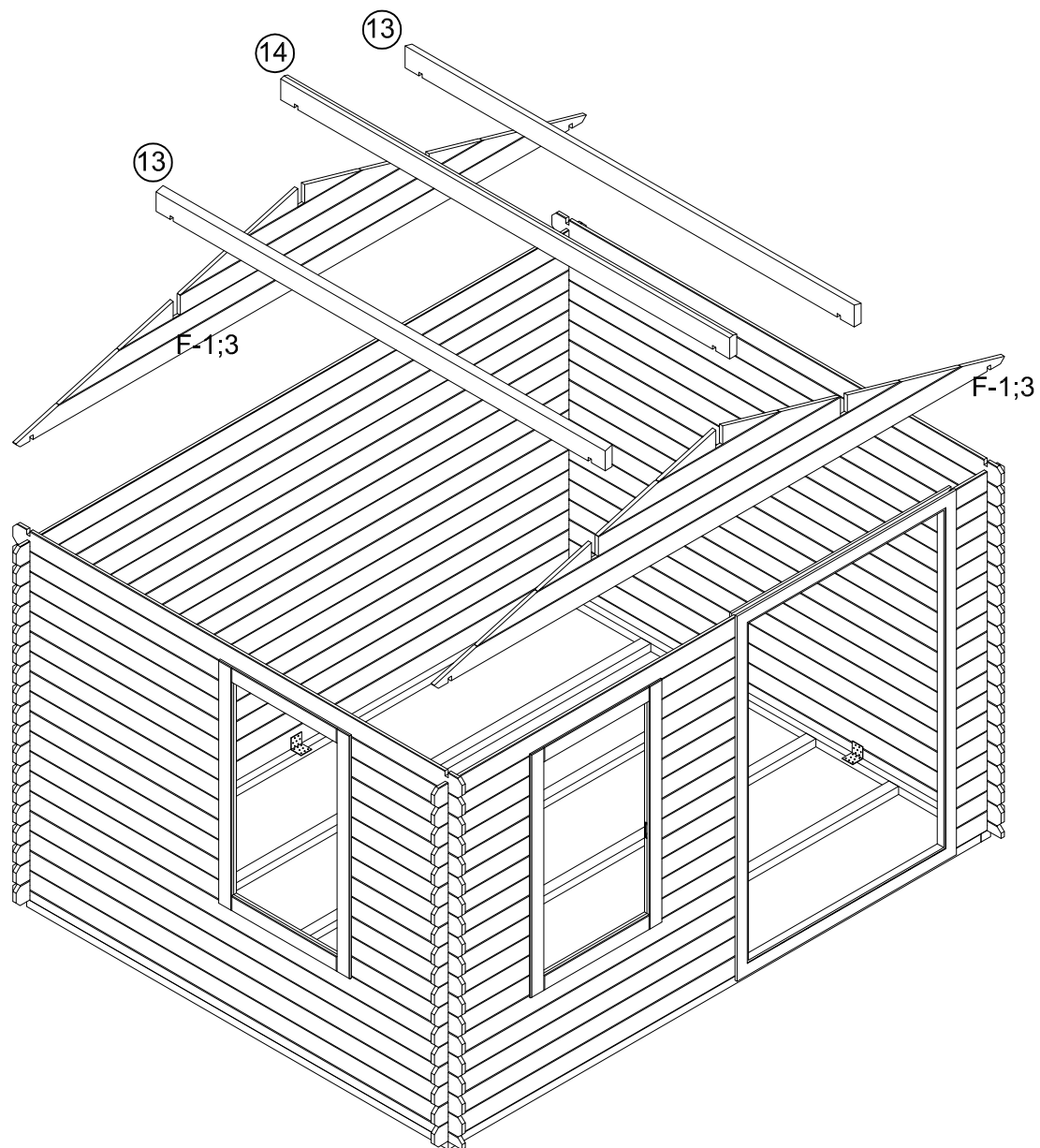
Degree <74°	Dimensions, mm			Pos.	Quantity
	A	B	C		
	2980	19	50	4	2
	1750	19	100	5	6
	300	19	100	8	18
	3300	19	100	12	18

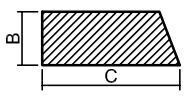
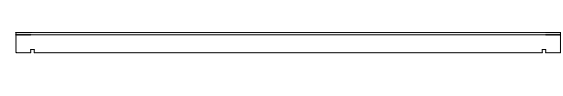
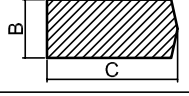
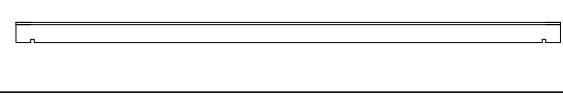
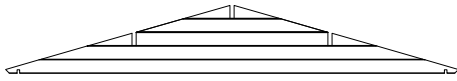


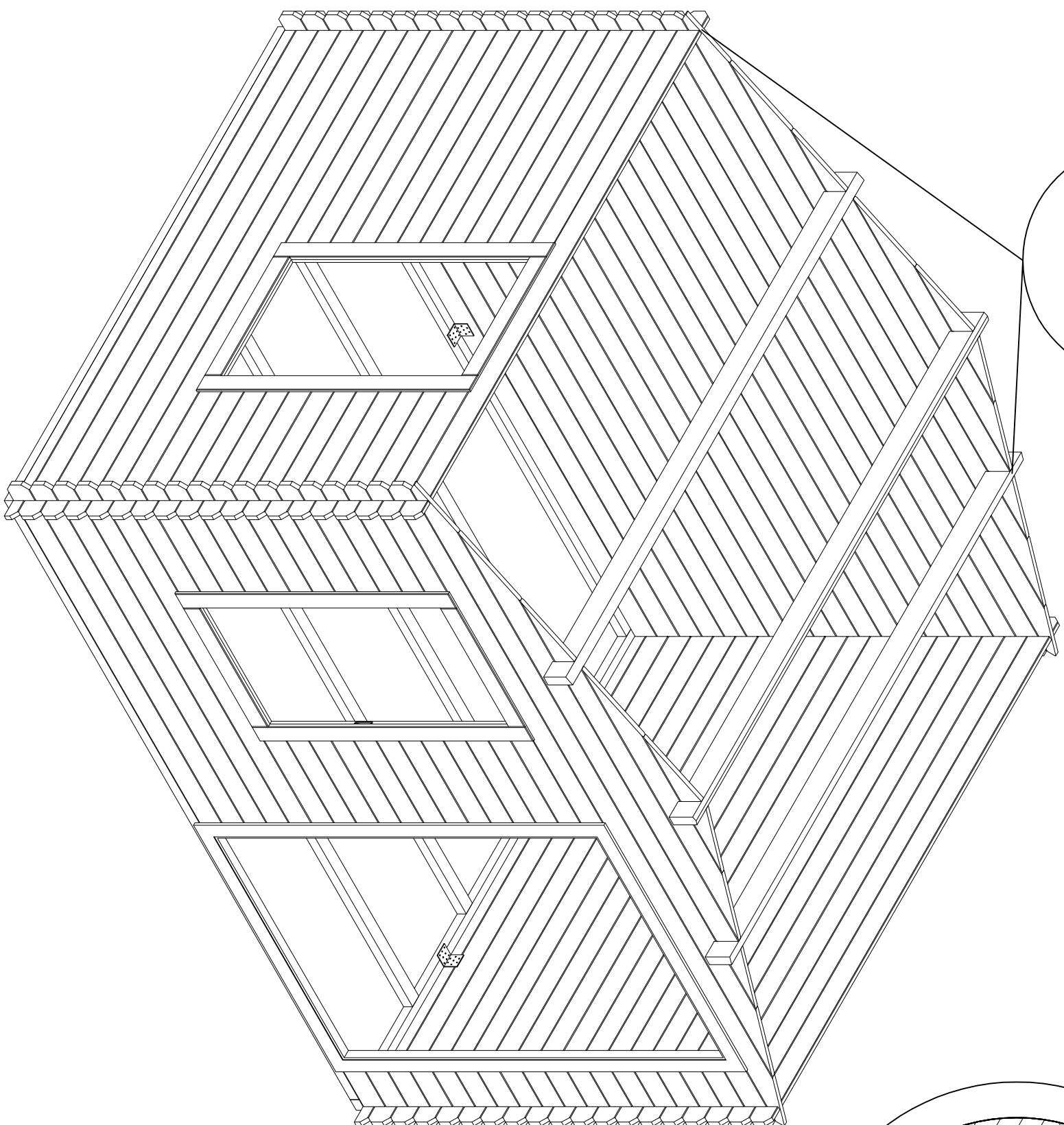
Log M003		330x298 cm			BE 2015	-Date-
		19 mm 2015.07.07				
Degree <74°		Dimensions, mm			Pos.	Quantity
		A	B	C		
		1750	19	100	5	6
		560	19	100	6	12
		450	19	100	7	12
		300	19	100	8	18
		2980	19	100	9	24
		1450	19	100	10	12
		790	19	100	11	12
		3300	19	100	12	18
		1250	1800		20	1
		300	19	100	F	6 banging blocks



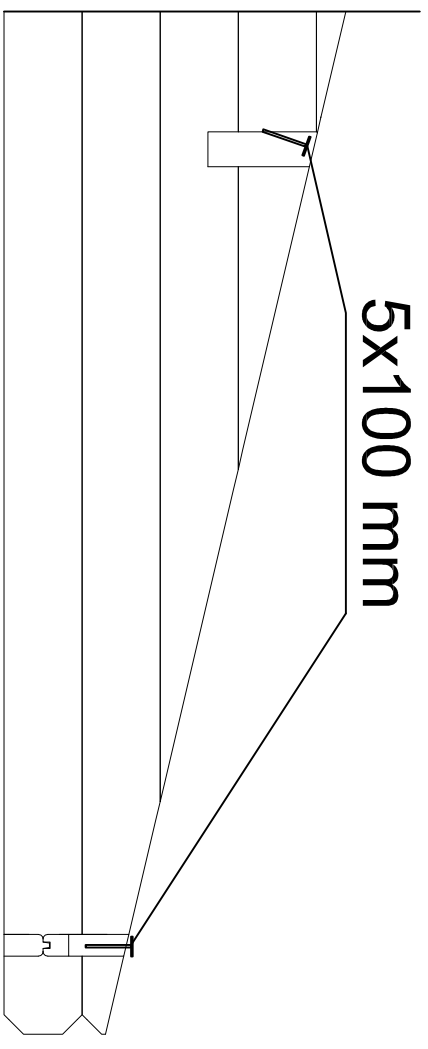
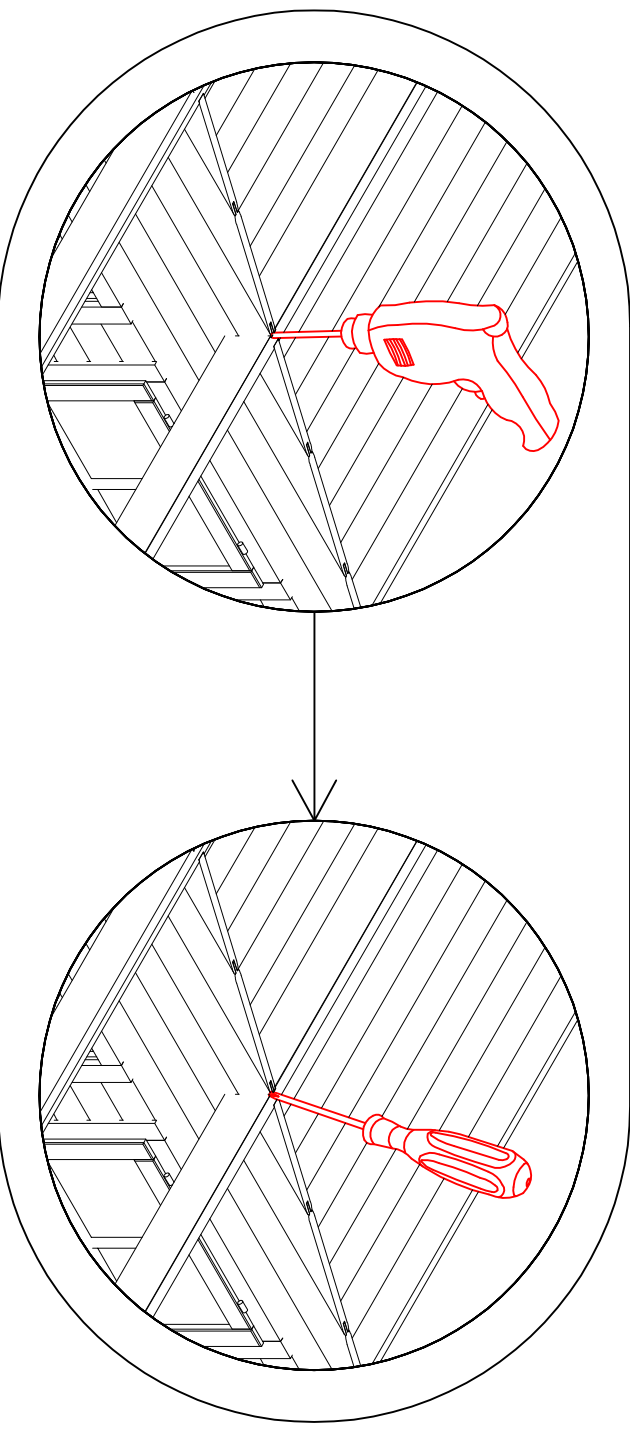
<b>Log M003</b>		330x298 cm			<b>BE 2015</b>	<b>-Date-</b>
		19 mm 2015.07.07				
Degree <74°		Dimensions, mm			Pos.	Quantity
		A	B	C		
		1750	19	100	5	6
		2980	19	100	9	24
		740	1200		21	2



<b>Log M003</b>		<b>330x298 cm</b>			<b>BE 2015</b>	<b>-Date-</b>
		<b>19 mm</b> 2015.07.07				
Degree <math><74^\circ</math>		Dimensions, mm			Pos.	Quantity
		<b>A</b>	<b>B</b>	<b>C</b>		
		2980	40	110	13	2
		2980	40	110	14	1
		3300	496		F-1,3	2



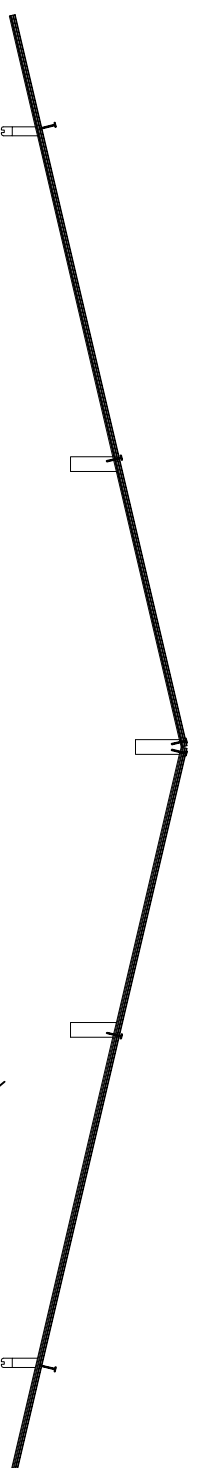
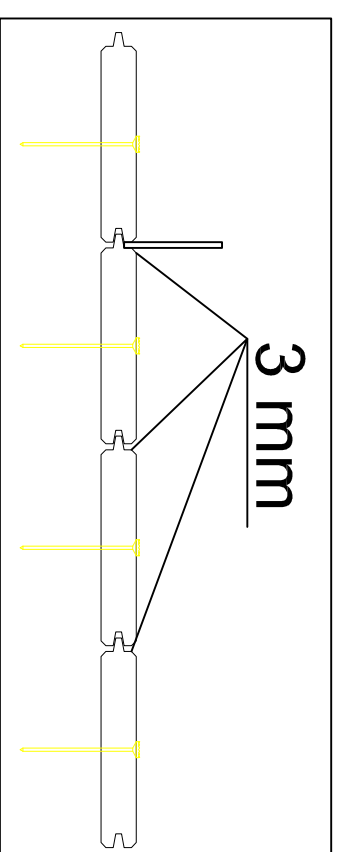
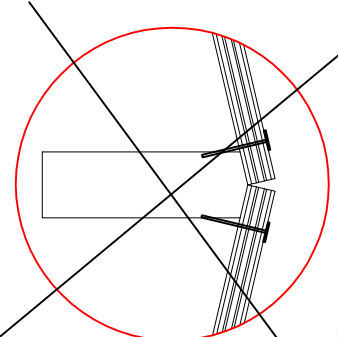
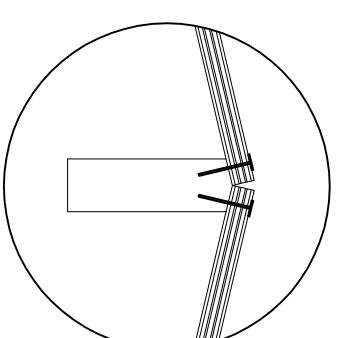
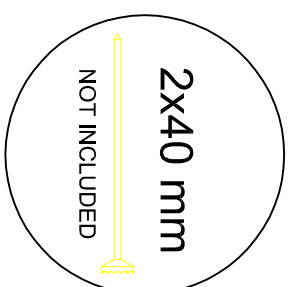
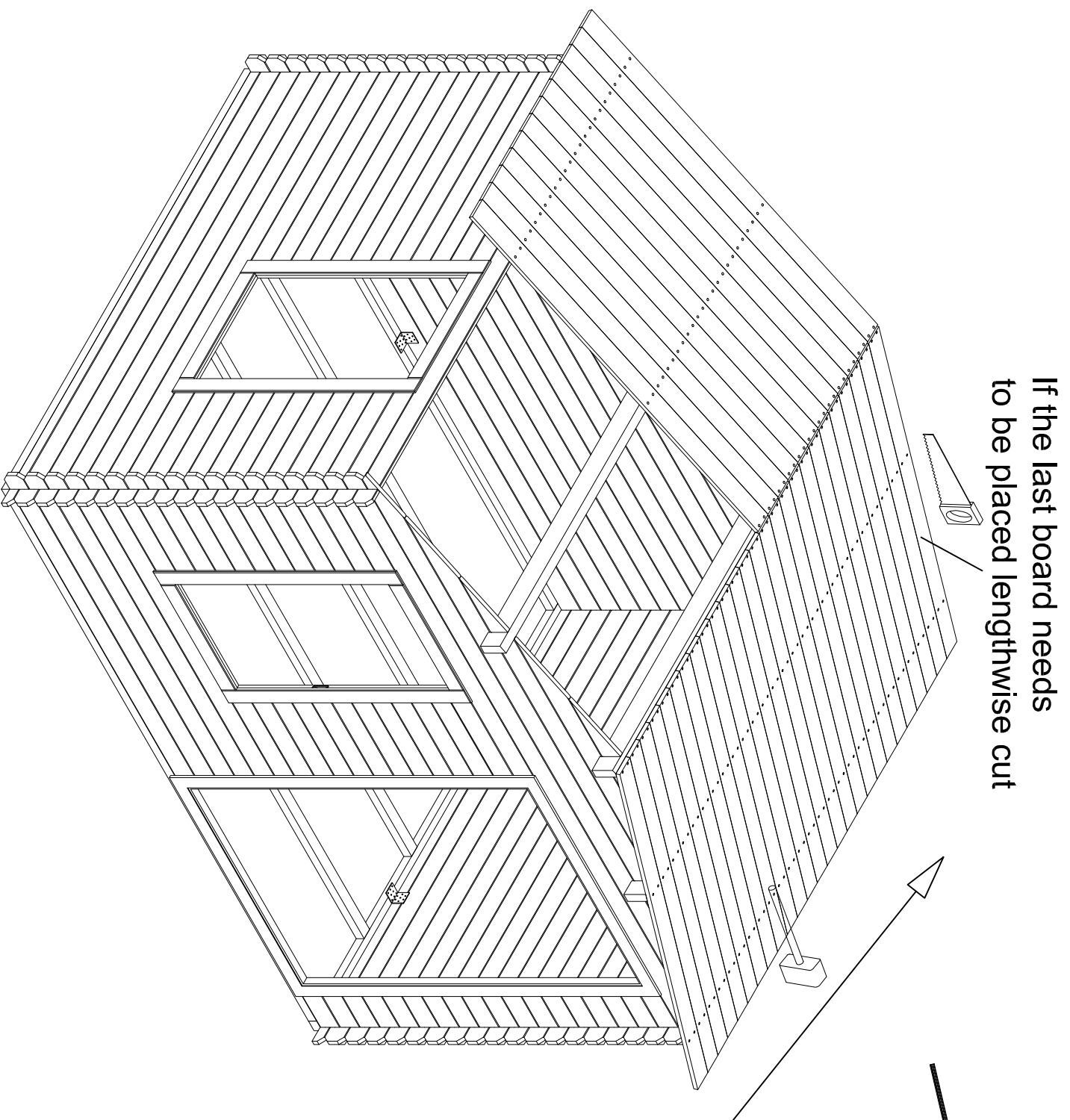
5x100 mm  
x10



# Log MM003 3.3X3



If the last board needs  
to be placed lengthwise cut



# Log M003

Degree <math><74^\circ</math>

**330x298 cm**  
**19 mm** 2015.07.07

**BE 2015**

**⬇ Date**

Dimensions, mm

Pos.

Quantity

**A**

**B**

**C**

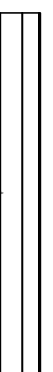
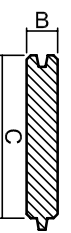
1830

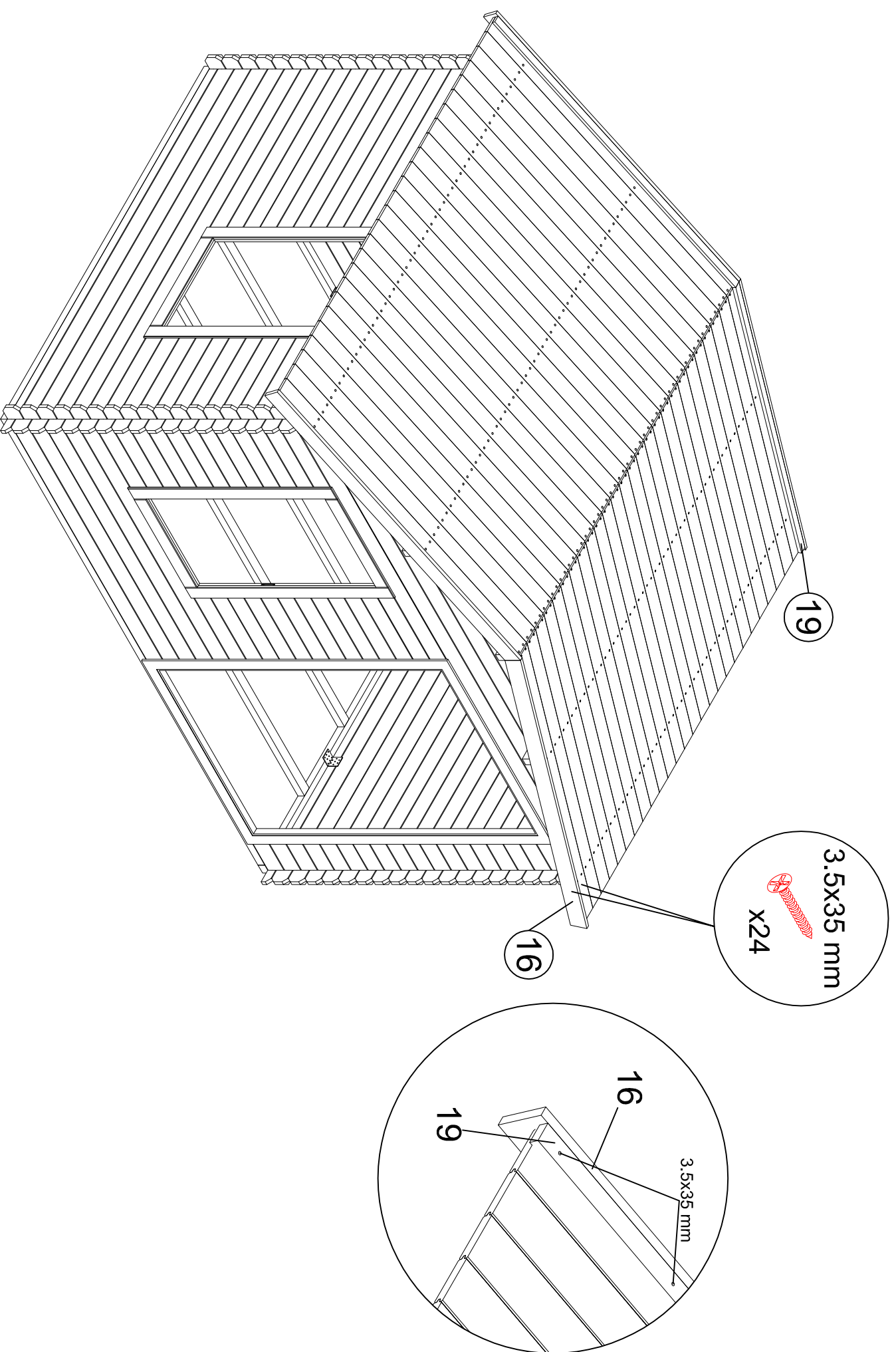
19

100/86

15

60/70





# Log M003

**330x298 cm**

**19 mm** 2015.07.07

**BE 2015**

Date:

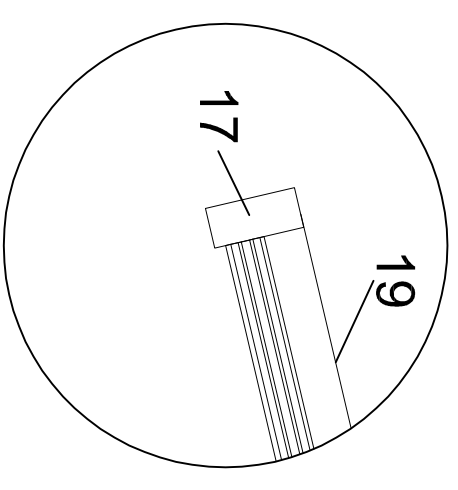
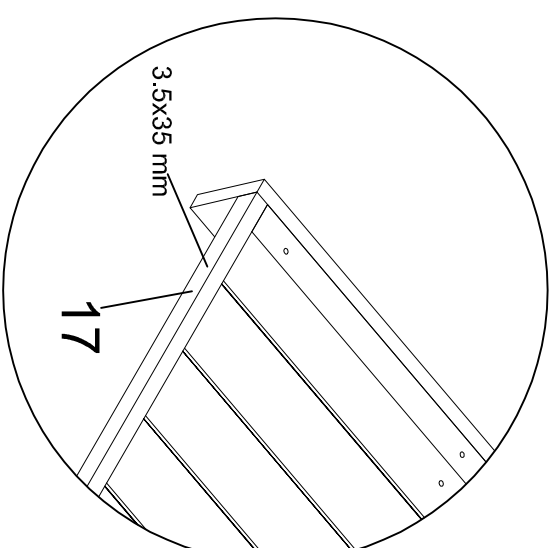
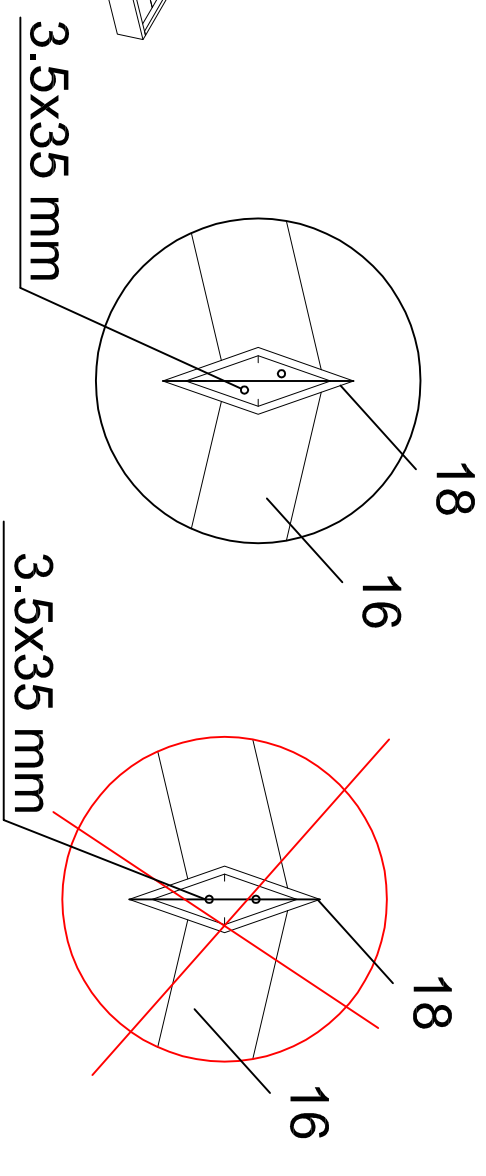
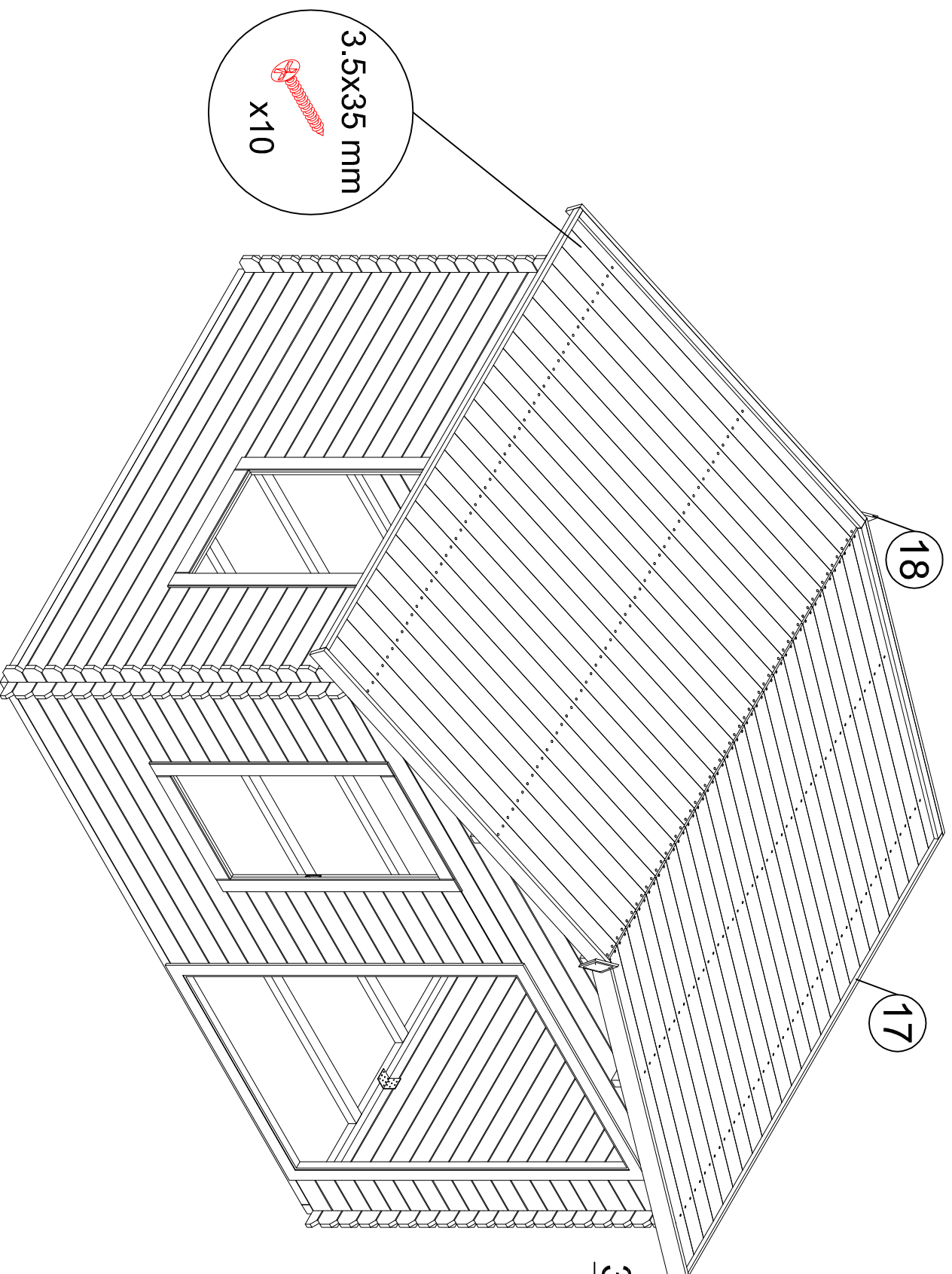
Degree <74°

Dimensions, mm

Pos.

Quantity

			A			B			C			Pos.			Quantity		
			1860	19	90	16	1860	19	40	19	4	1860	19	40	19	4	



# Log M003

**330x298 cm**  
**19 mm** 2015.07.07

**BE 2015**

⬇  
**Date:**

Degree <math><74^\circ</math>

Dimensions, mm

Pos.

Quantity

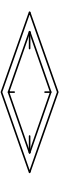
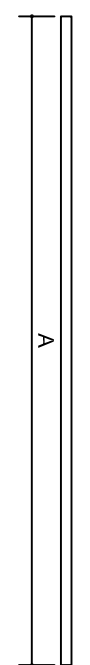
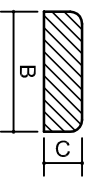
**A**

**B**

**C**

17

4



200

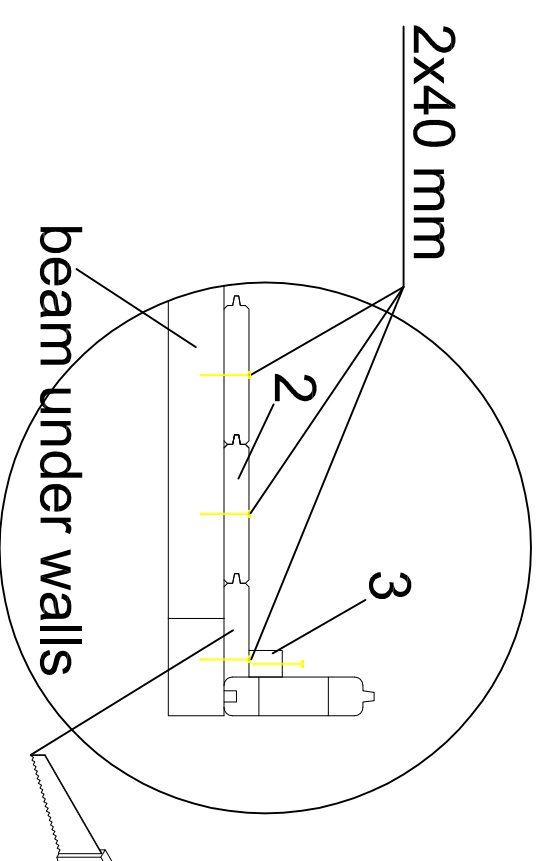
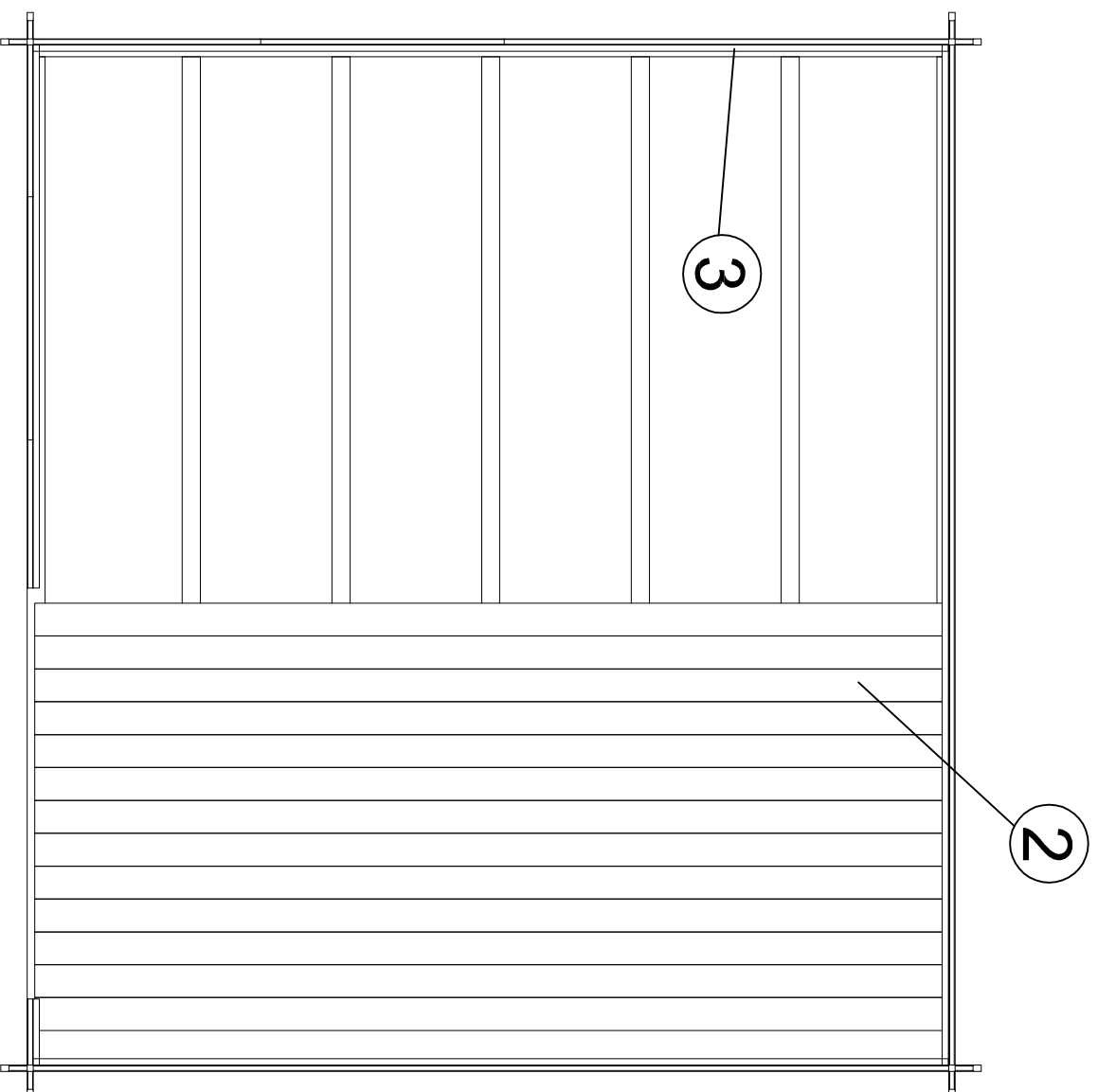
100

18

2

<b>Log M003</b>			<b>330x298 cm</b>		<b>BE 2015</b>		⬇ <b>Date:</b>
Degree <math><74^\circ</math>			19 mm 2015.07.07				
Dimensions, mm			Pos.		Quantity		
<b>A</b>	<b>B</b>	<b>C</b>	17	4			
1490	19	40	17	4			
200	100		18	2			





# Log M003

**330x298 cm**  
**19 mm** 2015.07.07

**BE 2015**

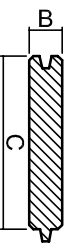
**Дата:**

Degree <math><74^\circ</math>

Dimensions, mm

Pos.

Quantity



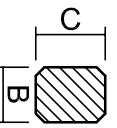
2772

19

100/86

2

31/37

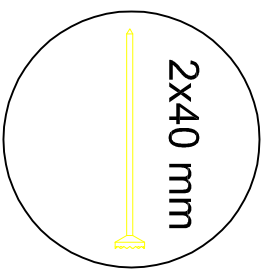
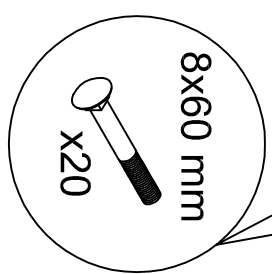
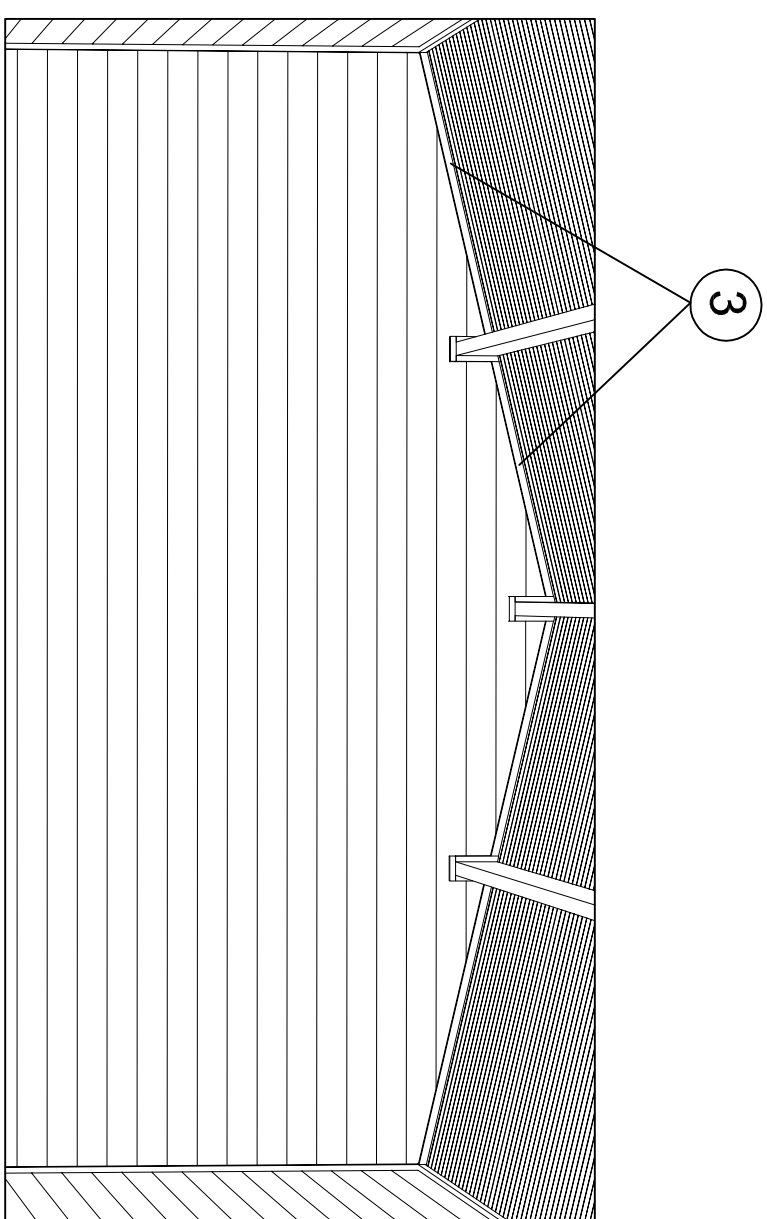
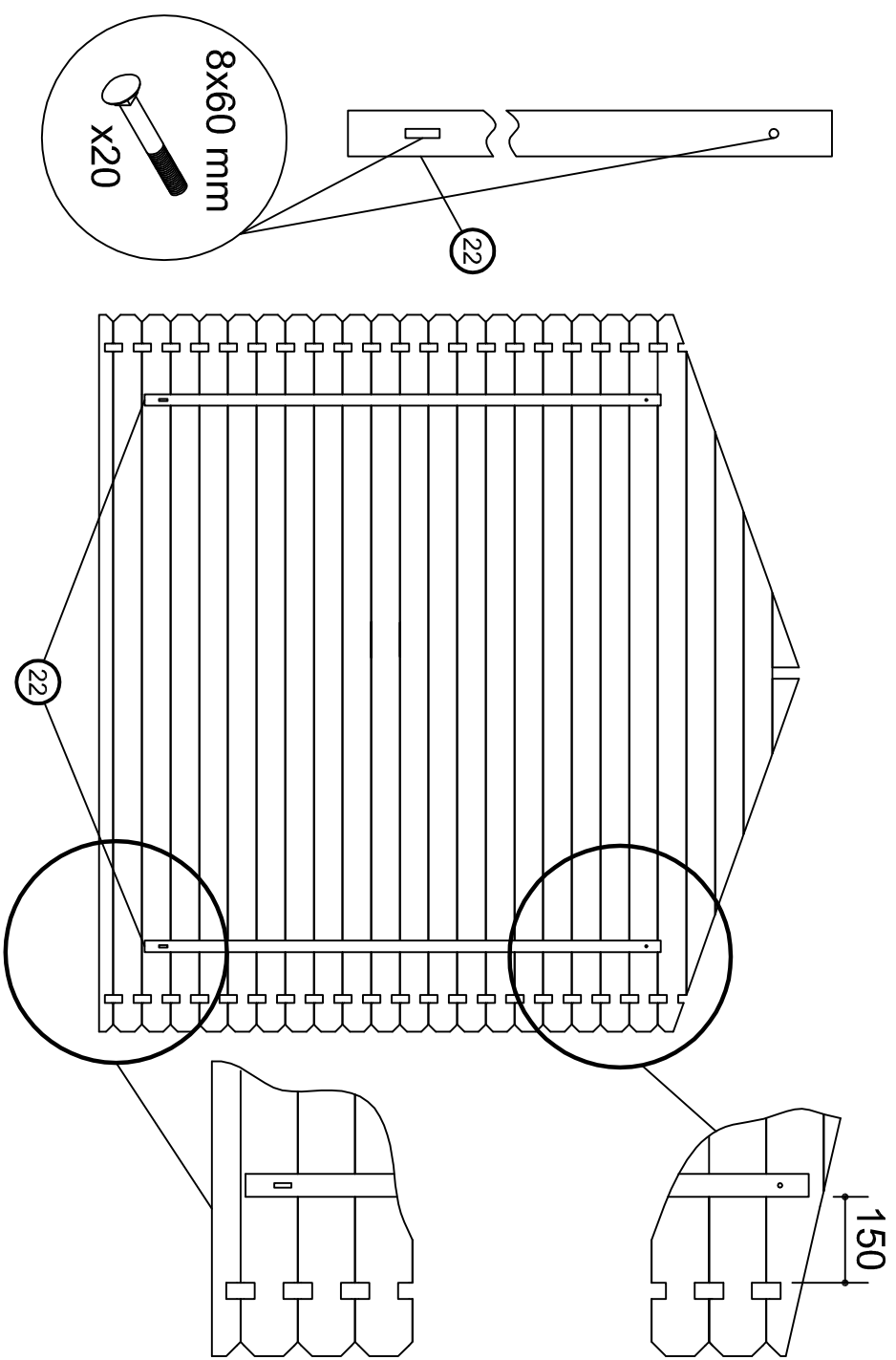


19

28

3

~ 30 meters



<b>Log M003</b>	<b>330x298 cm</b>		<b>BE 2015</b>		<b>İtaliya</b>	
	<b>19 mm</b> 2015.07.07					
Degree <math><74^\circ</math>	Dimensions, mm		Pos.	Quantity		
	<b>A</b>	<b>B</b>				<b>C</b>
	1880	19	28	3	~ 30 meters	
	1880	19	40	22	4	
	1880	19	40	23	4	